



INSTALLATION INSTRUCTIONS

LCD TV Tilt Wall Mount (RGPM-110)



CHIEF

INSTALLATION INSTRUCTIONS

WARNINGS

- WARNING** The maximum weight to be installed on the RGPM-110 is 40 lbs. (18.1 kg).
- WARNING** Improper installation can result in serious personal injury! Make sure that the mounting surface can support a redundant weight factor **five times** the total weight of the equipment: if not, reinforce the mounting surface structural members before installing the RGPM-110.
- CAUTION** To prevent damage to the RGPM-110, which could affect or void the Factory warranty, and to the equipment that will be attached to it, thoroughly study all instructions and illustrations before you begin the installation.
- CAUTION** If your monitor uses a longer screw size other than those included in the kit, DO NOT use the screws provided with the mount. Use the screws provided with your monitor or contact the manufacturer. Using the wrong screws could result in damage to your monitor.
- If you have any questions about this installation, contact Chief Manufacturing at: 1.800.572.1373 or 952.277.3901.

INSTALLATION INSTRUCTIONS

TOOLS REQUIRED FOR INSTALLATION

- Phillips screwdriver
- Drill and drill bits

NOTE: Other tools may be required depending on your method of installation.

GPM-110 TILT MOUNT KIT

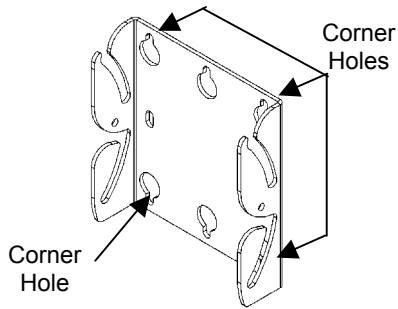
Unpack the carton. Verify the kit contents shown in Table 1. Read installation instructions completely. If you are missing any of the listed components, please contact Customer Service at 1-800/582-6480.

Table 1. GPM-110 Tilt Mount Kit

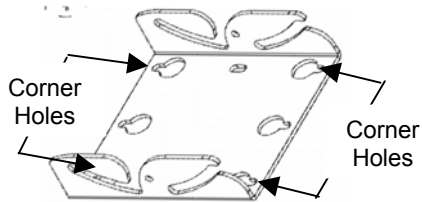
ITEM NUMBER	DESCRIPTION	QTY	NOTES
10	BRKT, VESA INTERFACE	1	
20	BRKT, WALL MOUNT	1	
30	ANCHOR, HOLLOW WALL	4	DRYWALL MOUNTED
40	PHILLIPS HEAD WOOD SCREW, 2-1/2"	2	SINGLE STUD MOUNTED
50	NYLON WASHER	2	TILT ADJUSTMENT
60	PHILLIPS PAN HEAD MACHINE SCREW, M5 x 10MM	2	
70	PHILLIPS PAN HEAD MACHINE SCREW, M4 x 10MM	4	FLUSH MOUNT
80	PHILLIPS PAN HEAD MACHINE SCREW, M4 x 20MM (USE WITH 90) *	4	RECESSED MOUNT
90	3/8" NYLON SPACER	4	
100	PHILLIPS PAN HEAD MACHINE SCREW, M4 x 30MM (USE WITH 110) **	4	
110	3/4" NYLON SPACER	4	

- *Use M4 x 20mm screws (80) with spacers (90) for recessed applications.
- **Use M4 x 30mm screws (100) with spacers (110) for recessed applications.

Step 1, Option A



Installing Wall Bracket – Vertically



Installing Wall Bracket – Horizontally

NOTE: Read the “Warnings and Precautions” on Page 2.

Installing the Wall Bracket (Step 1)

The wall bracket can be mounted vertically or horizontally. Mounting the bracket vertically allows you to tilt the display up and down. Mounting the bracket horizontally allows you to pivot the display side-to-side.

To install the wall bracket, perform Option A or Option B as applicable.

OPTION A (Drywall Installation Procedures)

- A. Determine the exact mounting location prior to installation, considering screen size as well as the mount tilt radius.
- B. Position the wall bracket (20) in the vertical position or the horizontal position, as desired.
- C. Using the wall bracket (20) as a template at the desired mounting location, mark the location of the four corner mounting holes.

NOTE: This procedure applies to a minimum drywall thickness of ½” inch (12.7 mm).

- D. Using a 3/8-inch drill, drill four pilot holes at the locations marked in Step 1, Option A.
- E. Install an anchor (30) in one of the pilot holes and tighten anchor bolt until it is fully seated (see Figure 1).
- F. Remove and retain bolt from anchor (30) and repeat Step E and F for three remaining anchors (30).
- G. Using four bolts, with washers installed, secure wall bracket (20) to wall.

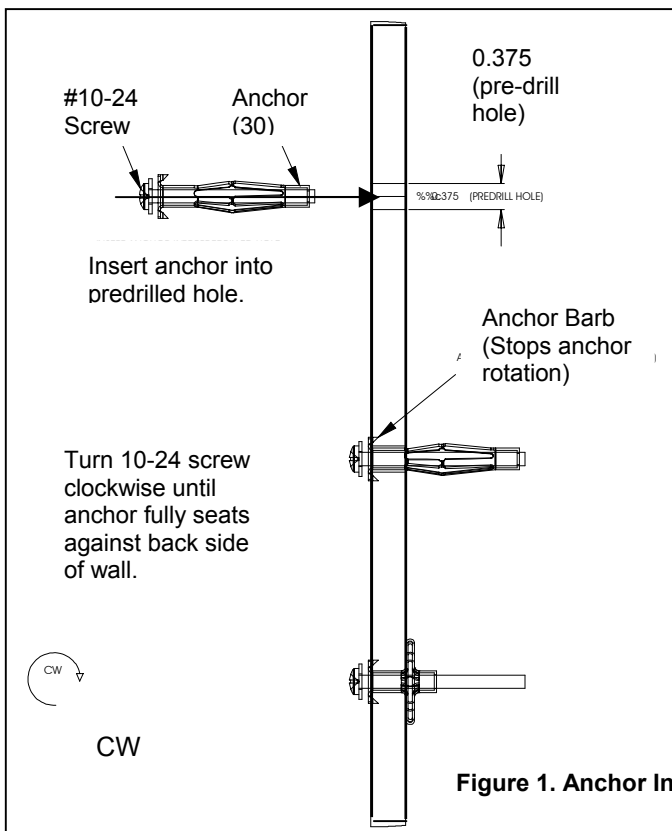
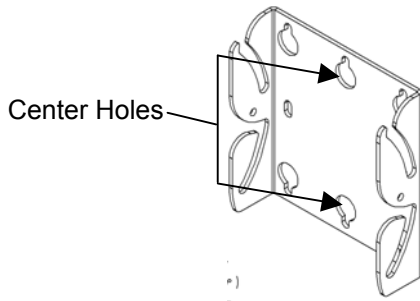


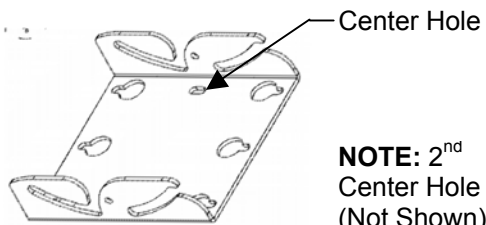
Figure 1. Anchor Installation

INSTALLATION INSTRUCTIONS

Step 1, Option B



Installing Wall Bracket – Vertically



NOTE: 2nd
Center Hole
(Not Shown)

Installing Wall Bracket – Horizontally

NOTE: Read the “Warnings and Precautions” on Page 2.

OPTION B (Wall Stud Installation Procedures)

- A. Determine the exact mounting location prior to installation, considering screen size as well as the mount swing and extension radius.
- B. Position the wall bracket (20) in the vertical position or the horizontal position, as desired.
- C. Locate stud and, using wall bracket (20) as a template at the desired height, mark the location of the two center mounting holes.
- D. Using the two wood screws (40), secure wall bracket (20) to wall.

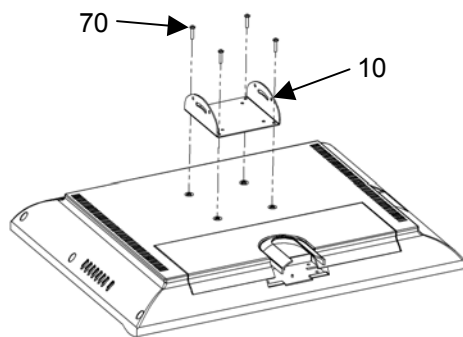
Step 2

Attaching the VESA Bracket to the Display (Step 2)

NOTE: Choose the instructions, listed below, that apply to the type of installation you want.

- Flush Mount Applications do not use spacers. The display is attached to the mount with four screws.
- Recessed Mount Applications use spacers. The display is attached to the mount with four screws and four spacers.

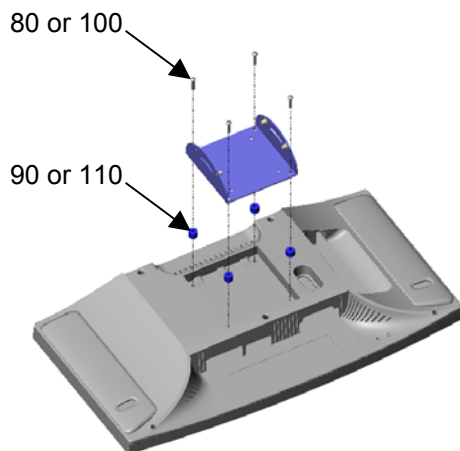
CAUTION: If monitor uses a screw size other than those included in the kit, DO NOT use the screws provided. Using the wrong screws could result in damage to your monitor.



Flushed Mount

Flushed Mount

- A. Place the VESA bracket (10) on the display.
- B. Align the hole-pattern of your display with the hole-pattern on the VESA bracket (10).
- C. Attach VESA bracket (10) to the display using four M4 X 10mm screws (70) provided.



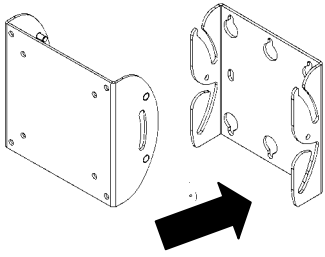
Recessed Mount

Recessed Mount

NOTE: Use one of the following screw and spacer combinations: (80 with 90) or (100 with 110).

- A. Select four screws (80 or 100) for the Recessed application.
- B. Select the four spacers (90 or 110) for the Recessed application.
- C. Set four spacers (90 or 110) over the four mounting holes on your monitor.
- D. Set VESA interface bracket (10) on top of spacers and install four screws (80 or 100) into the top mounting holes of your display.

Step 3

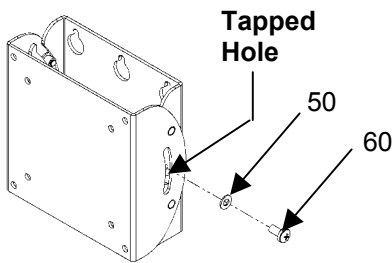


Assemble the Brackets

Mounting the Display on the Wall Bracket (Step 3)

- A. With the aid of another person (if necessary), lift the display up to the wall bracket (20) over the four mounting pins.
- B. Align the mounting pins on the display with the slots in the wall bracket (20), and set the display into place.
- C. Verify that the display tilts in the wall bracket (20).
 - For displays that are mounted vertically, tilt the display ± 15 degrees upward and downward.
 - For displays that are mounted horizontally, pivot the display ± 15 degrees from side-to-side.

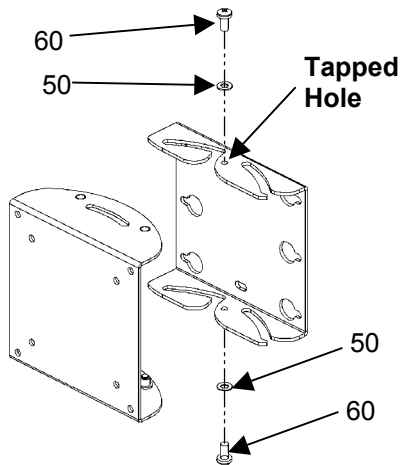
Step 4



Install the M5 Screw – Vertical Tilt

Locking the Display on the Wall Bracket (Step 4)

- A. Assemble a washer (50) over each M5 screw (60). Install the two M5 (60) screw assemblies into the tapped holes located on the side of the wall bracket (20).
- B. Set the display into the desired position. Tighten the M5 screw (60) until friction holds the display stationary.



Install the M5 Screw – Horizontal Pivot



8807-000019 Rev. B



CHIEF MANUFACTURING INC., 8401 EAGLE CREEK PARKWAY, SUITE 700, SAVAGE, MN 55378 USA
P 800.572.1373 / 952.894.6280 W www.chiefmounts.com