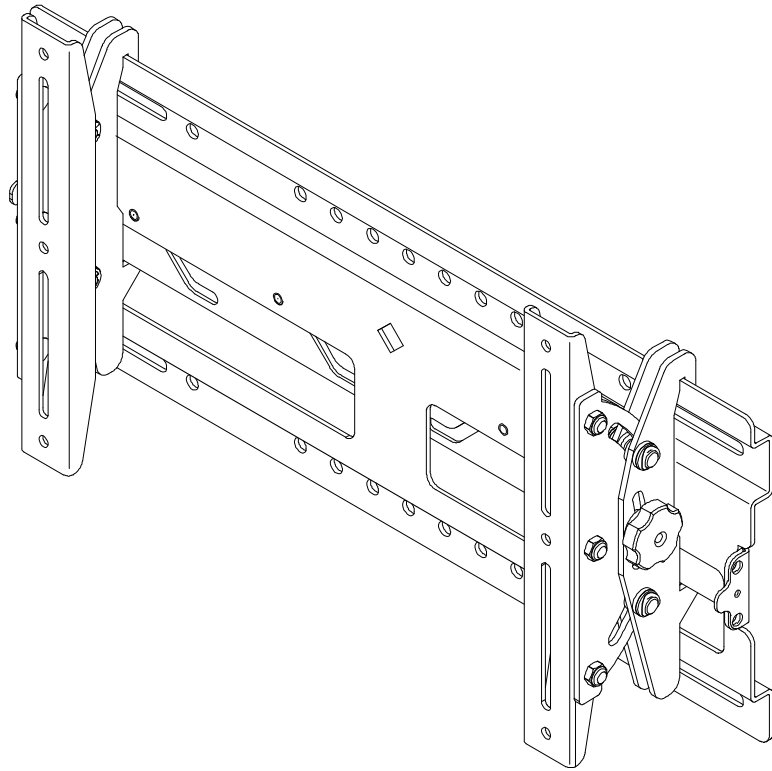


---

# INSTALLATION INSTRUCTIONS

---



---

## Universal Static Wall Mount

---

**DISCLAIMER**

Milestone AV Technologies, Inc., and its affiliated corporations and subsidiaries (collectively, "Milestone"), intend to make this manual accurate and complete. However, Milestone makes no claim that the information contained herein covers all details, conditions or variations, nor does it provide for every possible contingency in connection with the installation or use of this product. The information contained in this document is subject to change without notice or obligation of any kind. Milestone makes no representation of warranty, expressed or implied, regarding the information contained herein. Milestone assumes no responsibility for accuracy, completeness or sufficiency of the information contained in this document.

Chief® is a registered trademark of Milestone AV Technologies. All rights reserved.

**! IMPORTANT WARNINGS AND CAUTIONS!**

**! WARNING:** A WARNING alerts you to the possibility of serious injury or death if you do not follow the instructions.

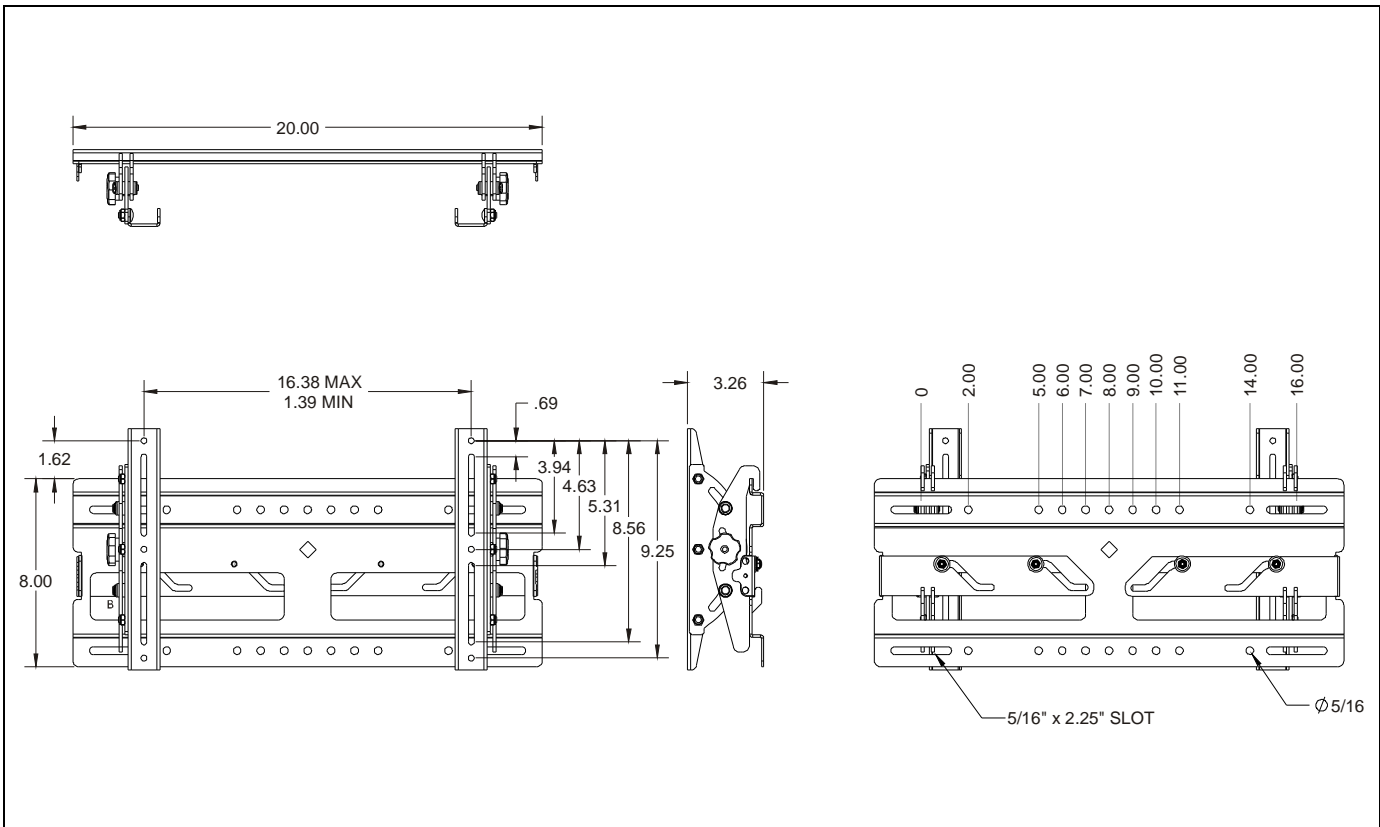
**! CAUTION:** A CAUTION alerts you to the possibility of damage or destruction of equipment if you do not follow the corresponding instructions.

**! WARNING:** Failure to read, thoroughly understand, and follow all instructions can result in serious personal injury, damage to equipment, or voiding of factory warranty! It is the installer's responsibility to make sure all components are properly assembled and installed using the instructions provided.

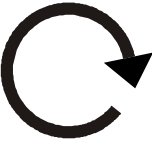
**! WARNING:** Failure to provide adequate structural strength for this component can result in serious personal injury or damage to equipment! It is the installer's responsibility to make sure the structure to which this component is attached can support five times the combined weight of all equipment. Reinforce the structure as required before installing the component.


**! WARNING:** Exceeding the weight capacity can result in serious personal injury or damage to equipment! It is the installer's responsibility to make sure the combined weight of all components does not exceed 100 lbs (45 kg).


**DIMENSIONS**





**LEGEND**


	<b>Tighten Fastener</b>
	Apretar elemento de fijación
	Befestigungsteil festziehen
	Apertar fixador
	Serrare il fissaggio
	Bevestiging vastdraaien
Serrez les fixations	


	<b>Pencil Mark</b>
	Marcar con lápiz
	Stiftmarkierung
	Marcar com lápis
	Segno a matita
	Potloodmerkten
Marquage au crayon	


	<b>Loosen Fastener</b>
	Aflojar elemento de fijación
	Befestigungsteil lösen
	Desapertar fixador
	Allentare il fissaggio
	Bevestiging losdraaien
Desserrez les fixations	


	<b>Drill Hole</b>
	Perforar
	Bohrloch
	Fazer furo
	Praticare un foro
	Gat boren
Percez un trou	


	<b>Phillips Screwdriver</b>
	Destornillador Phillips
	Kreuzschlitzschraubendreher
	Chave de fendas Phillips
	Cacciavite a stella
	Kruiskopschroevendraaier
Tournevis à pointe cruciforme	


	<b>Adjust</b>
	Ajustar
	Einstellen
	Ajustar
	Regolare
	Afstellen
Ajuster	


	<b>Open-Ended Wrench</b>
	Llave de boca
	Gabelschlüssel
	Chave de bocas
	Chiave a punte aperte
	Steeksleutel
Clé à fourche	

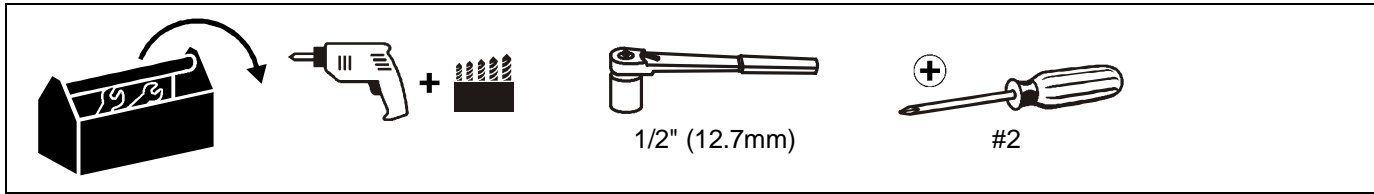
	<b>Remove</b>
	Quitar
	Entfernen
	Remover
	Rimuovere
	Verwijderen
Retirez	

	<b>By Hand</b>
	A mano
	Von Hand
	Com a mão
	A mano
	Met de hand
À la main	

	<b>Optional</b>
	Opcional
	Optional
	Opcional
	Opzionale
	Optie
En option	

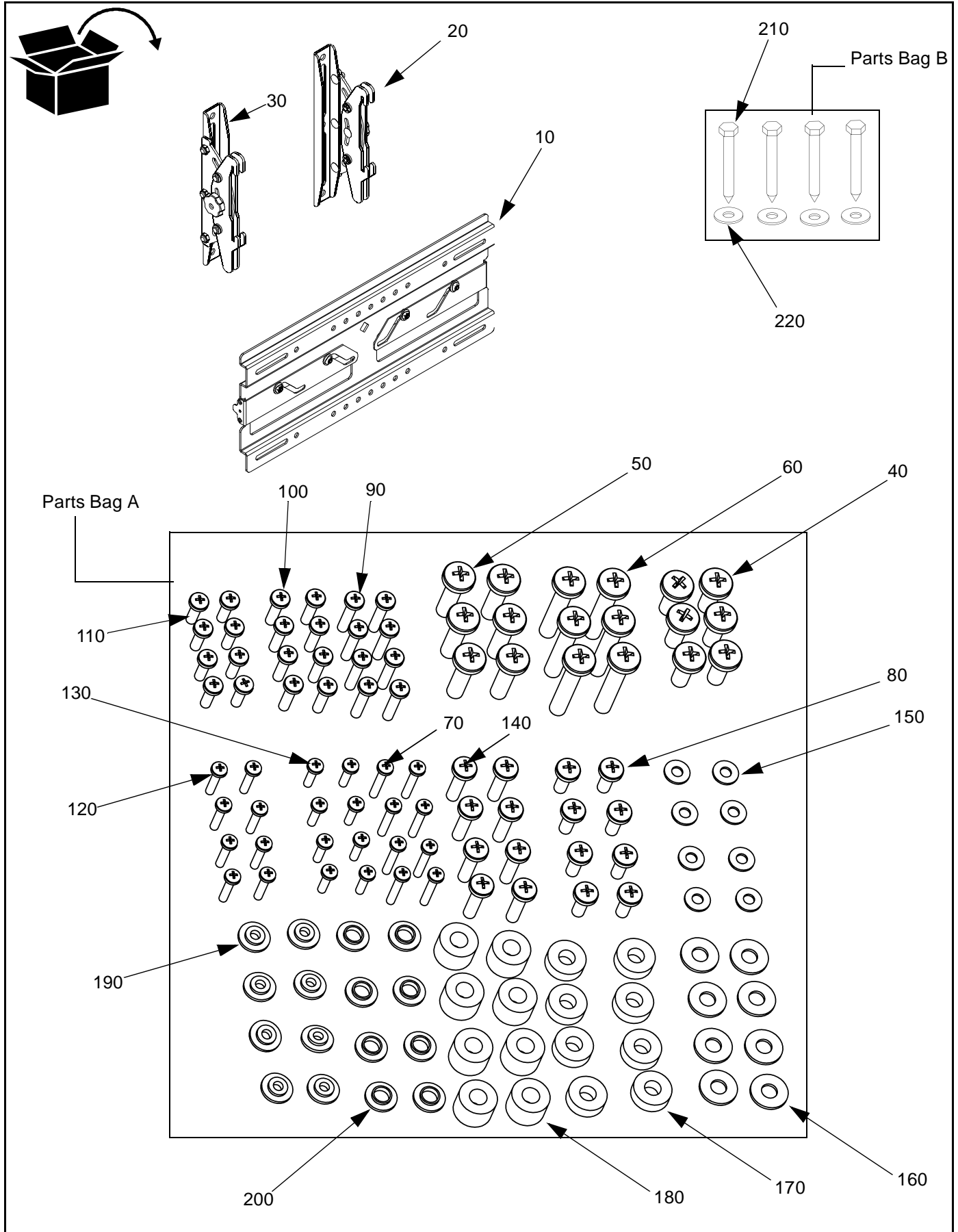
	<b>Hex-Head Wrench</b>
	Llave de cabeza hexagonal
	Sechskantschlüssel
	Chave de cabeça sextavada
	Chiave esagonale
	Zeskantsleutel
Clé à tête hexagonale	

	<b>Security Wrench</b>
	Llave de seguridad
	Sicherheitsschlüssel
	Chave de segurança
	Chiave di sicurezza
	Veiligheidssleutel
Clé de sécurité	

**TOOLS REQUIRED FOR INSTALLATION**

REF	DESCRIPTION	QTY	REF	DESCRIPTION	QTY
10	PLATE, Wall	1	130	SCREW, Phillips, M4 x 16 (Parts Bag A)	8
20	BRACKET, Interface (Rt)	1	140	SCREW, Phillips, M4 x 25 (Parts Bag A)	8
30	BRACKET, Interface (Lft)	1	150	WASHER, Flat, #10 (Parts Bag A)	8
40	SCREW, Phillips, M8 x 20 (Parts Bag A)	6	160	WASHER, Flat, 1/4" (Parts Bag A)	8
50	SCREW, Phillips, M8 x 30 (Parts Bag A)	6	170	SPACER, 1/4" (Parts Bag A)	8
60	SCREW, Phillips, M8 x 45 (Parts Bag A)	6	180	SPACER, 1/2" (Parts Bag A)	8
70	SCREW, Phillips, M6 x 25 (Parts Bag A)	8	190	WASHER, Shoulder, .195"ID (Parts Bag A)	8
80	SCREW, Phillips, M6 x 16 (Parts Bag A)	8	200	WASHER, Shoulder, .320"ID (Parts Bag A)	8
90	SCREW, Phillips, M5 x 25 (Parts Bag A)	8	210	BOLT, Lag, 5/16" (Parts Bag B)	4
100	SCREW, Phillips, M5 x 20 (Parts Bag A)	8	220	WASHER, 5/16" (Parts Bag B)	4
110	SCREW, Phillips, M5 x 16 (Parts Bag A)	8	230	SCREW, Self-Tapping	2
120	SCREW, Phillips, M4 x 20 (Parts Bag A)	8	240	KIT, Hardware, PAC-60 (not shown)	1

**PARTS**



## ASSEMBLY and INSTALLATION

### INSPECT THE MOUNT BEFORE ASSEMBLY

1. Carefully inspect the mount components for shipping damage.
2. If any damage is apparent, call your carrier claims agent and do not continue with the installation until the carrier has reviewed the damage.

**NOTE:** Read all assembly instructions before starting the installation process.

### INSTALL INTERFACE BRACKETS ON DISPLAY

To install interface brackets:

1. Place the left and right factory assembled interface bracket assemblies (20 and 30) on the back of the display. (See Figure 1)
2. Position the interface bracket assemblies (20 and 30) with the adjustment knobs facing towards the outside of the display. (See Figure 4)
3. Using the center hole on the interface bracket as a reference point, align the bracket with the center line of the display. (See Figure 2) and (See Figure 5)

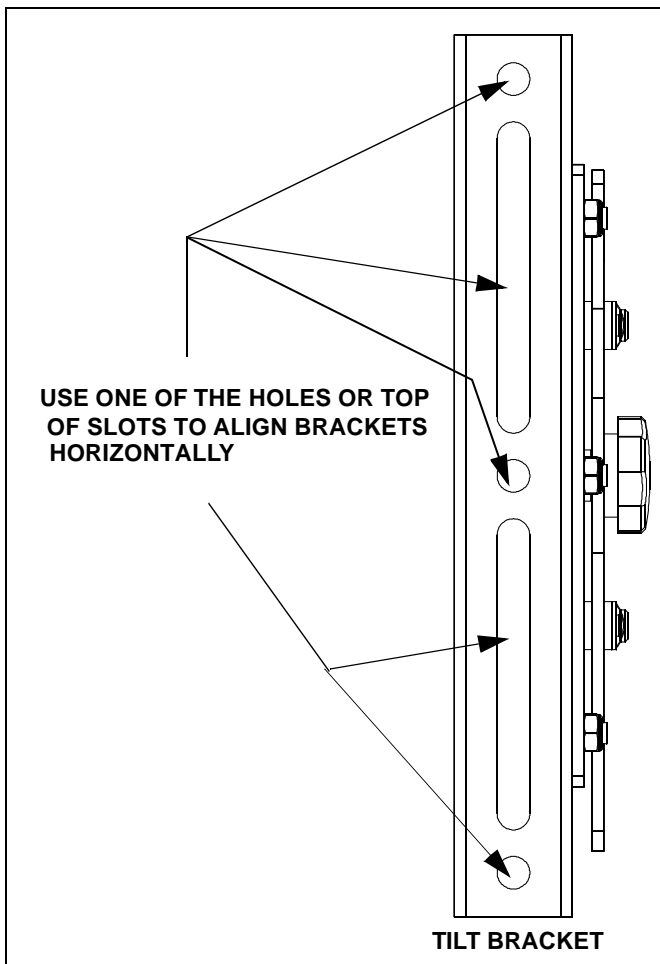


Figure 1

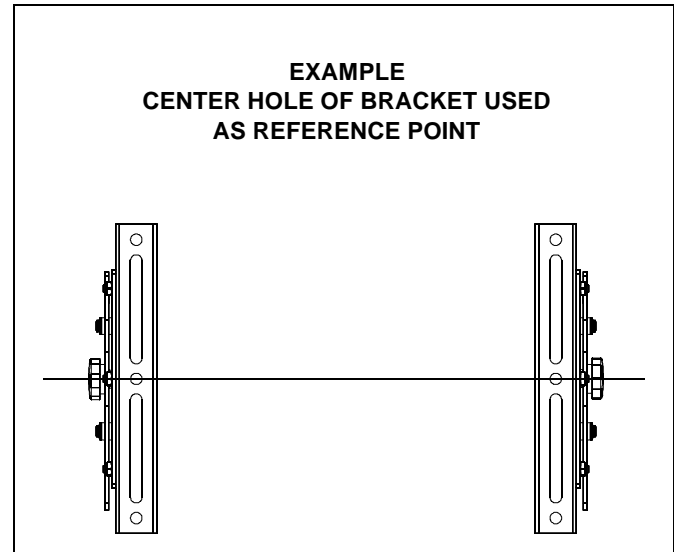


Figure 2

**NOTE:** Spacers (170 or 180) are used to offset the bracket if the mounting holes are recessed or to get around the protrusions.

4. Secure the left and right factory assembled interface bracket assemblies (20 and 30) to the display. Select the mounting hardware that fits your application. (See Figure 3) and (See Figure 4)
  - Use spacers (170 or 180), if necessary.
  - Use M6 screws (70 or 80) or M8 screws (40, 50, or 60), steel washers (160), and shoulder washers (200).
  - Or, use M4 screws (120, 130, or 140) or M5 screws (90, 100, or 110) steel washers (150), and shoulder washers (190).
5. Find the center line of the display once again. (See Figure 5)
6. If necessary, remove the attaching hardware and move the tilt brackets as close to the center line of the display as possible. Re-install the tilt brackets onto the interface brackets. (See Figure 5)

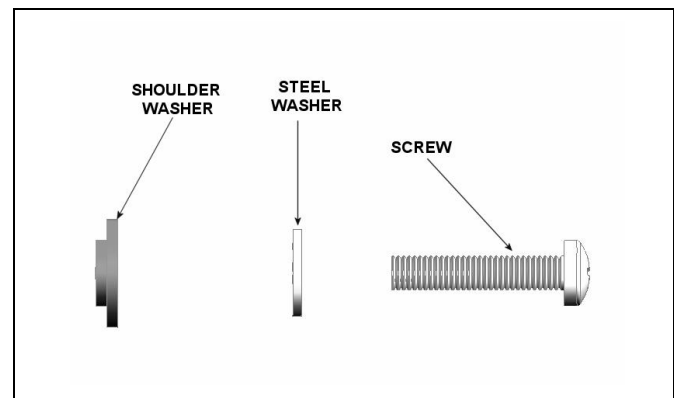


Figure 3

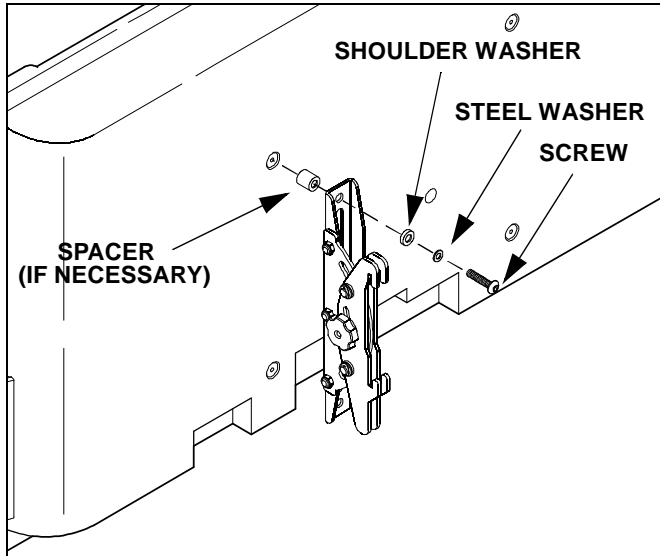


Figure 4

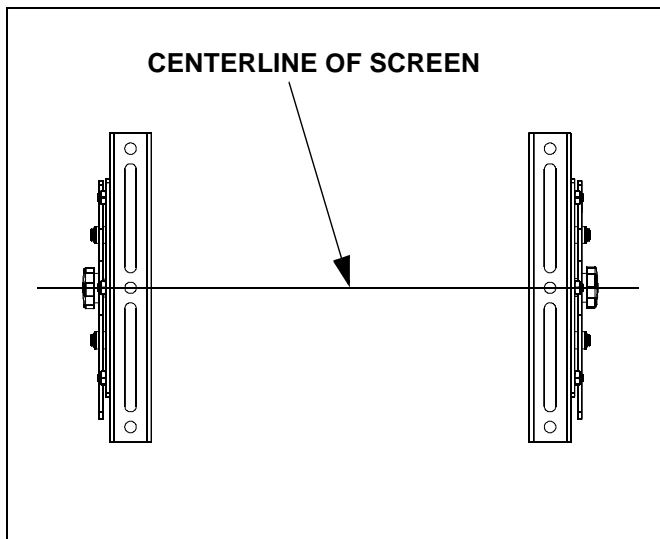


Figure 5

## Wall Plate Installation

### Lag Bolt Installation Instructions

To Install wall plate:



**WARNING:** It is the responsibility of the installer to verify that the structure to which the mount is anchored will safely support five times the combined load of all attached components and equipment.

1. Determine a suitable mounting location and lift the wall plate (10) into place.
2. Using a small nail or screw (not provided) in the center hole, lightly support the wall plate at the mounting location.
3. Level the wall plate (10) and drill pilot holes for anchoring the wall plate into wood studs using a 15/64" drill bit.
4. Using four 5/16" lag bolts (210) and 5/16" washers (220), install the wall plate on the wall.
5. Slide the latches to the outside.

### Display Installation

To Install display:

1. Place the display on the wall plate (10) by hooking the hooks of the brackets (20 and 30) in the top of the wall plate (see Figure 6).
2. Secure the display by sliding the latches, one on each side, inward. (See Figure 6)
3. If desired, install self tapping screws (230) and/or padlocks (not provided) for additional security. (See Figure 6)
4. Tilt the display up or down as desired.
5. Tighten knobs to achieve the desired tension.

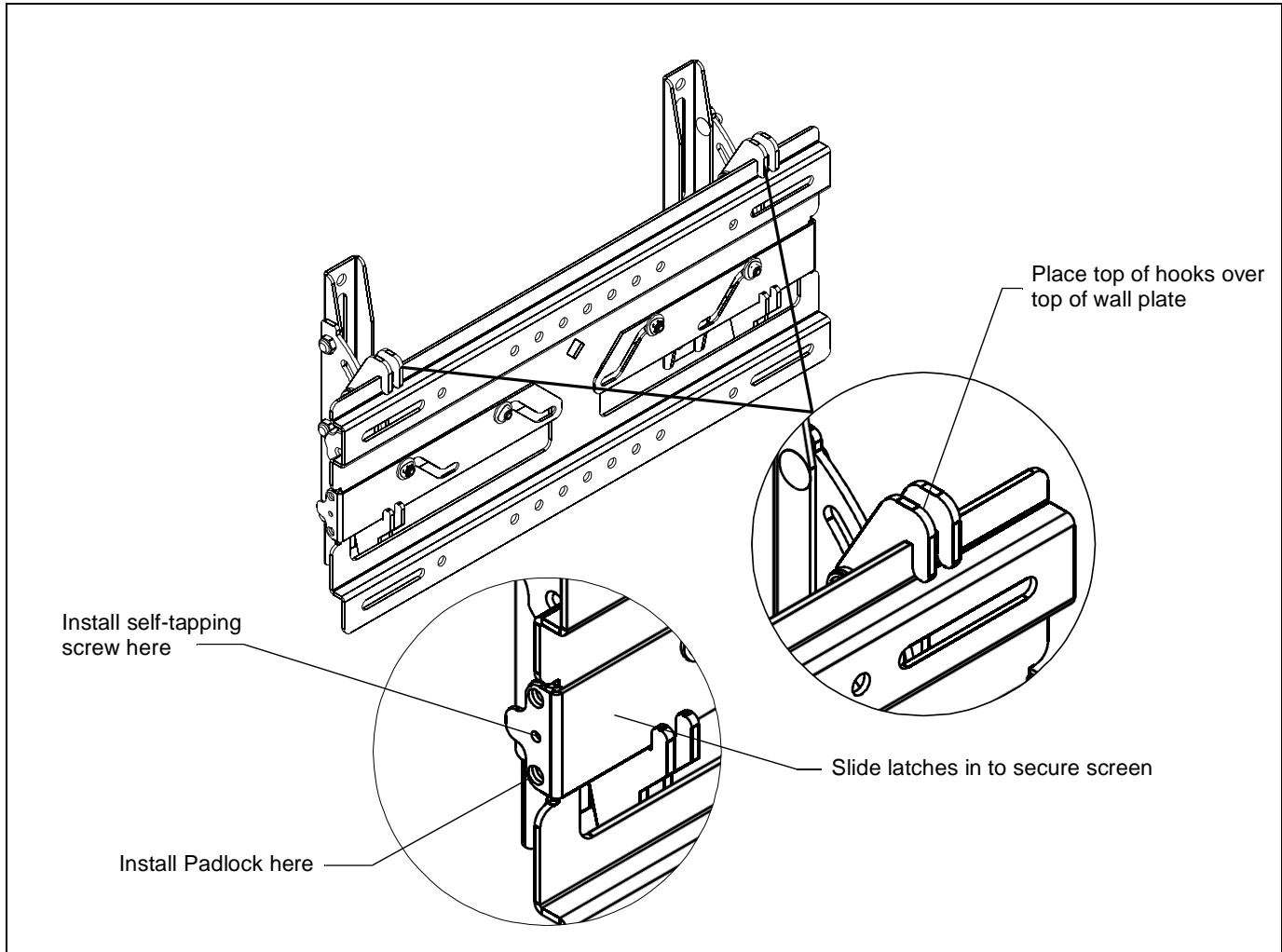


Figure 6

## Display Removal

**WARNING:** The plasma display is heavy and extremely fragile. Exercise caution when removing the display from the mount to avoid equipment damage or personal injury.

**CAUTION:** Disconnect power and audio/video cables before removing the display from its wall mount.

To remove display:

1. If applicable, remove the self tapping screws and/or padlocks from both sides of the wall plate. This hardware provides security. (See Figure 7)
2. Slide the security latches out on both sides to disengage the display from the wall plate. (See Figure 7)
3. With an assistant, lift the display up and off the wall plate to remove the display from the wall. (See Figure 7)

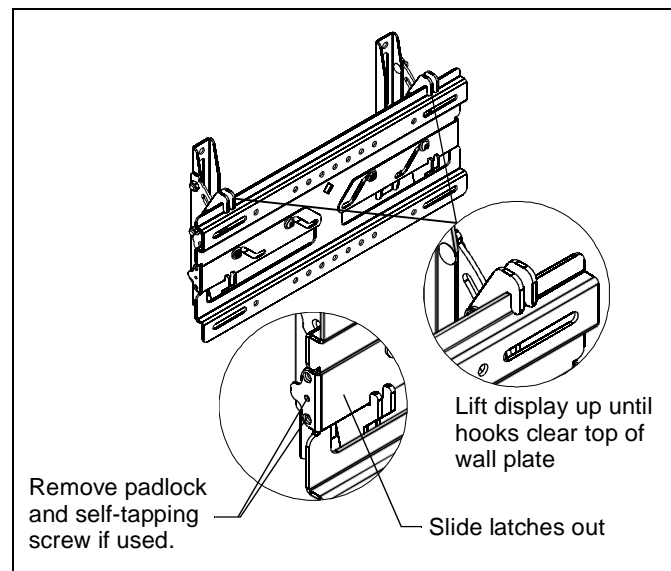


Figure 7







Our Mounts. **Your Vision.**

Chief Manufacturing, a division of  
Milestone AV Technologies, Inc.

8832-000209 Rev B  
©2008 Milestone AV Technologies  
[www.chiefmfg.com](http://www.chiefmfg.com)  
07/08

<b>USA/International</b>	<b>A</b> 8401 Eagle Creek Parkway, Savage, MN 55378 <b>P</b> 800.582.6480 / 952.894.6280 <b>F</b> 877.894.6918 / 952.894.6918
<b>Europe</b>	<b>A</b> Fellenoord 130 5611 ZB EINDHOVEN, The Netherlands <b>P</b> +31 (0)40 2668620 <b>F</b> +31 (0)40 2668615
<b>Asia Pacific</b>	<b>A</b> Room 24F, Block D, Lily YinDu International Building LuoGang, BuJi Town, Shenzhen, CHINA. 深圳市布吉罗岗村百合银都国际大厦D栋24F <b>P</b> +86-755-8996 9226 <b>F</b> +86-755-8996 9217