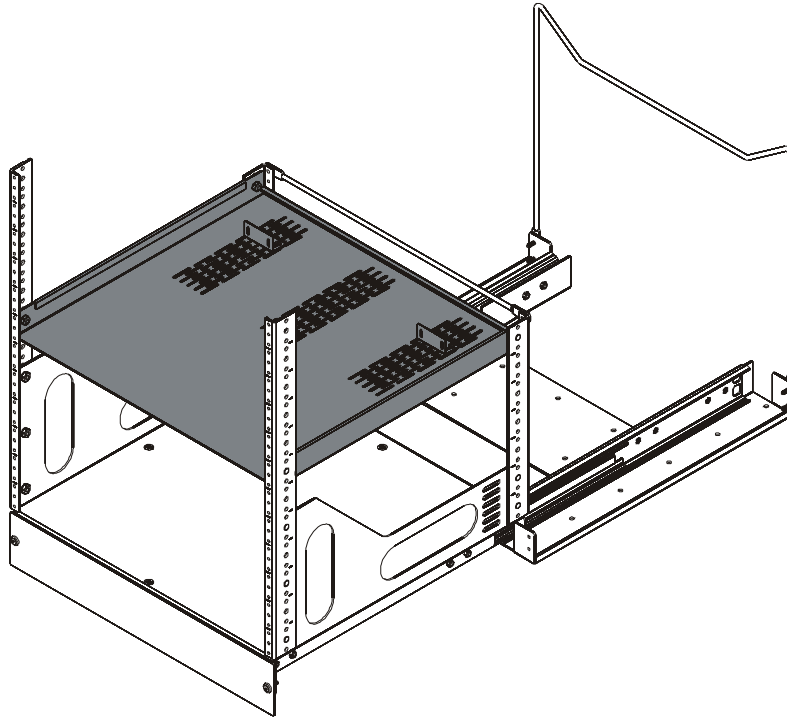


---

# INSTALLATION INSTRUCTIONS

---



---

## Pull Out and Rotating Rack Shelf

---

**DISCLAIMER**

Milestone AV Technologies and its affiliated corporations and subsidiaries (collectively "Milestone"), intend to make this manual accurate and complete. However, Milestone makes no claim that the information contained herein covers all details, conditions or variations, nor does it provide for every possible contingency in connection with the installation or use of this product. The information contained in this document is subject to change without notice or obligation of any kind. Milestone makes no representation of warranty, expressed or implied, regarding the information contained herein. Milestone assumes no responsibility for accuracy, completeness or sufficiency of the information contained in this document.

Chief® is a registered trademark of Milestone AV Technologies. All rights reserved.

**! IMPORTANT SAFETY INSTRUCTIONS**

**! WARNING:** A WARNING alerts you to the possibility of serious injury or death if you do not follow the instructions.

**! CAUTION:** A CAUTION alerts you to the possibility of damage or destruction of equipment if you do not follow the corresponding instructions.

**! WARNING:** Failure to read, thoroughly understand, and follow all instructions can result in serious personal injury, damage to equipment, or voiding of factory warranty! It is the installer's responsibility to make sure all components are properly assembled and installed using the instructions provided.

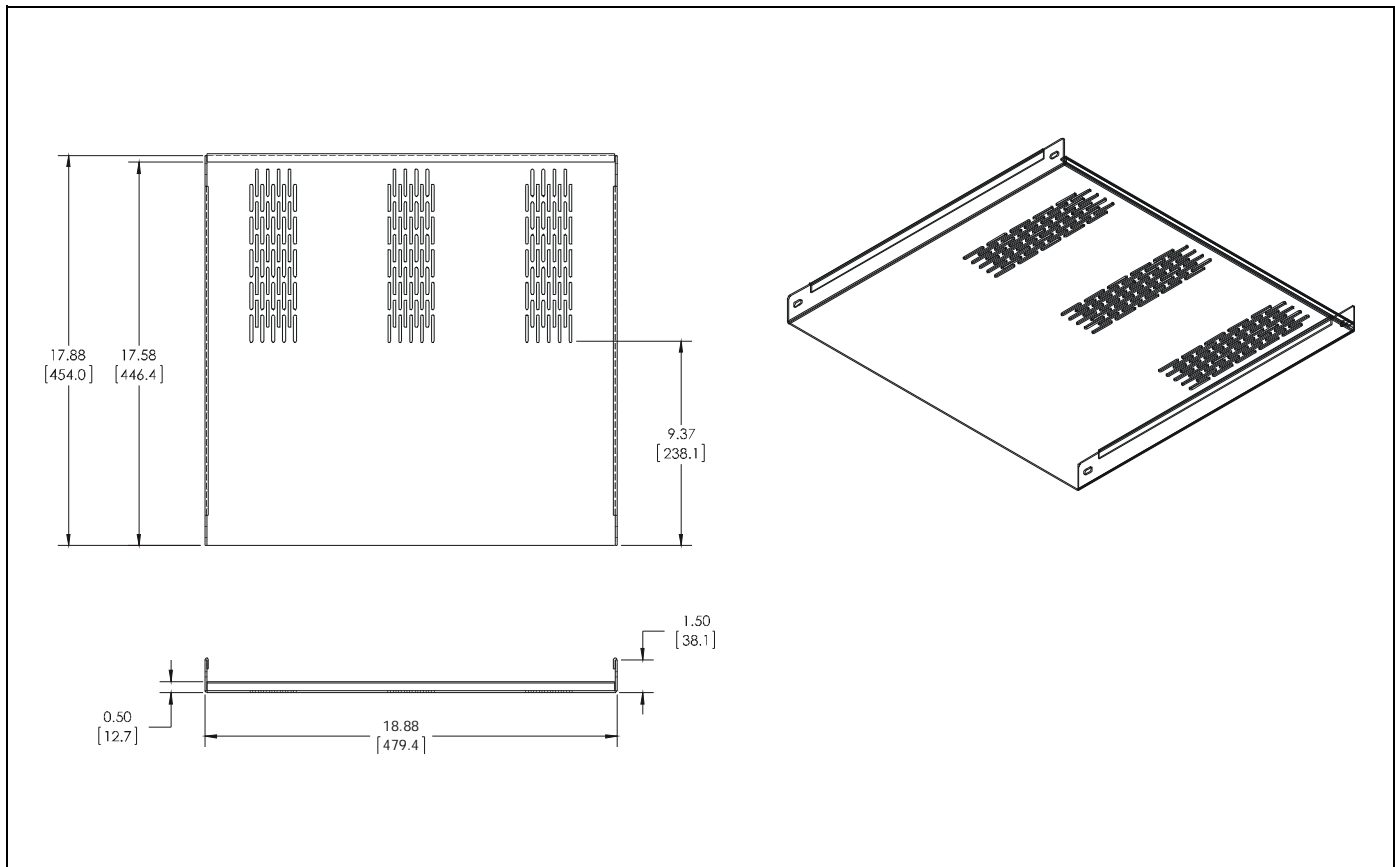
**! WARNING:** Failure to provide adequate structural strength for this component can result in serious personal injury or damage to equipment! It is the installer's responsibility to make sure the structure to which this component is attached can support five times the combined weight of all equipment. Reinforce the structure as required before installing the component.

**! WARNING:** Exceeding the weight capacity can result in serious personal injury or damage to equipment! It is the installer's responsibility to make sure the combined weight of all components located within the rack does not exceed 250 lbs (113.4 kg). Use with products heavier than the maximum weight indicated may result in instability or collapse of the rack causing possible injury.



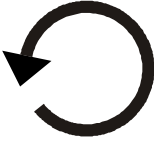

**IMPORTANT ! :** Minimum spacings between the Accessories and components and the (ITC/AV) Rack Enclosure shall be maintained for safe operation of the equipment when installed in accordance with the National Electric Code, ANSI/NFPA 70-2008. Operating temperature inside rack shall not exceed 104°F.

**--SAVE THESE INSTRUCTIONS--**

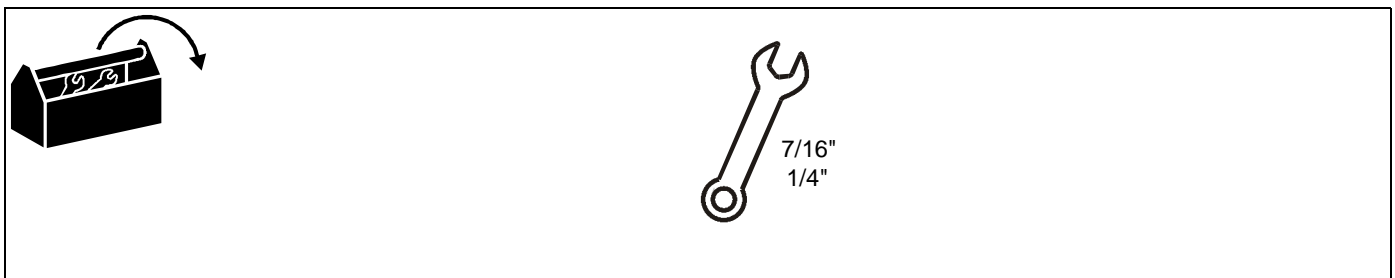
**DIMENSIONS**



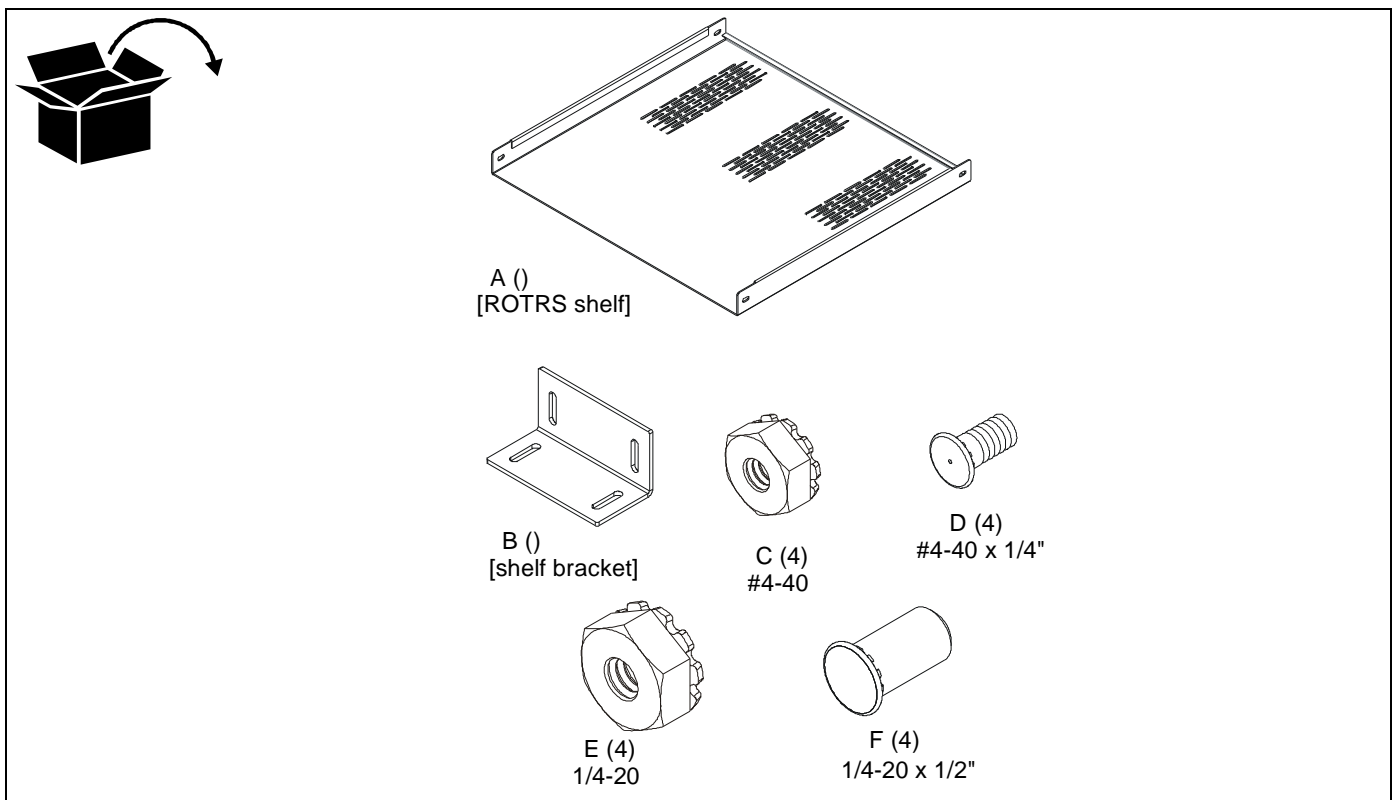
**LEGEND**

|   |                               |  |                             |
|---|-------------------------------|--|-----------------------------|
|  | <b>Tighten Fastener</b>       |  | <b>Phillips Screwdriver</b> |
|   | Apretar elemento de fijación  |  | Destornillador Phillips     |
|   | Befestigungsteil festziehen   |  | Kreuzschlitzschraubendreher |
|   | Apertar fixador               |  | Chave de fendas Phillips    |
|   | Serrare il fissaggio          |  | Cacciavite a stella         |
|   | Bevestiging vastdraaien       |  | Kruiskopschroevendraaier    |
| Serrez les fixations  | Tournevis à pointe cruciforme |  |                             |
|  | <b>Loosen Fastener</b>        |  | <b>Open-Ended Wrench</b>    |
|   | Aflojar elemento de fijación  |  | Llave de boca               |
|   | Befestigungsteil lösen        |  | Gabelschlüssel              |
|   | Desapertar fixador            |  | Chave de bocas              |
|   | Allentare il fissaggio        |  | Chiave a punte aperte       |
|   | Bevestiging losdraaien        |  | Steeksleutel                |
| Desserrez les fixations   | Clé à fourche                 |  |                             |

**TOOLS REQUIRED FOR INSTALLATION**



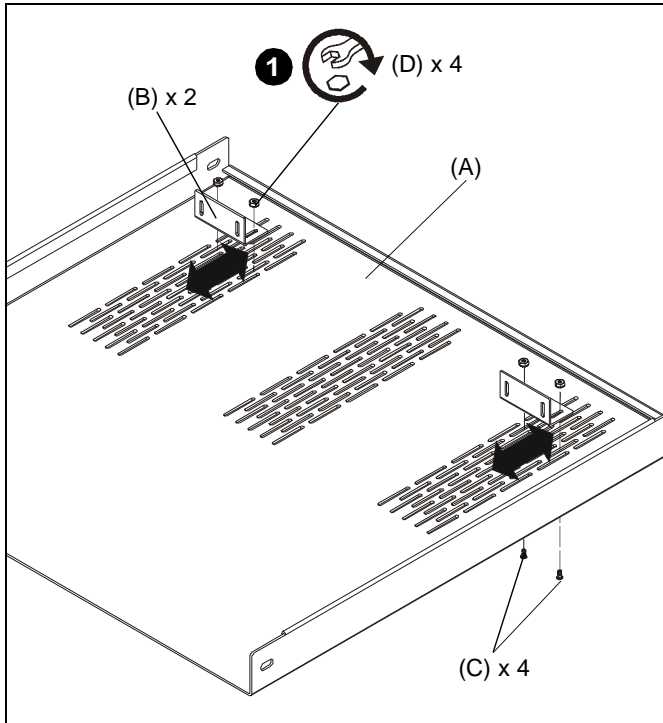
**PARTS**



**ASSEMBLY**

1. Attach shelf brackets (B) to ROTRS shelf (A) using four #4-40 x 1/4" pem studs (C) and four #4-40 lock nuts (D). (See Figure 1)

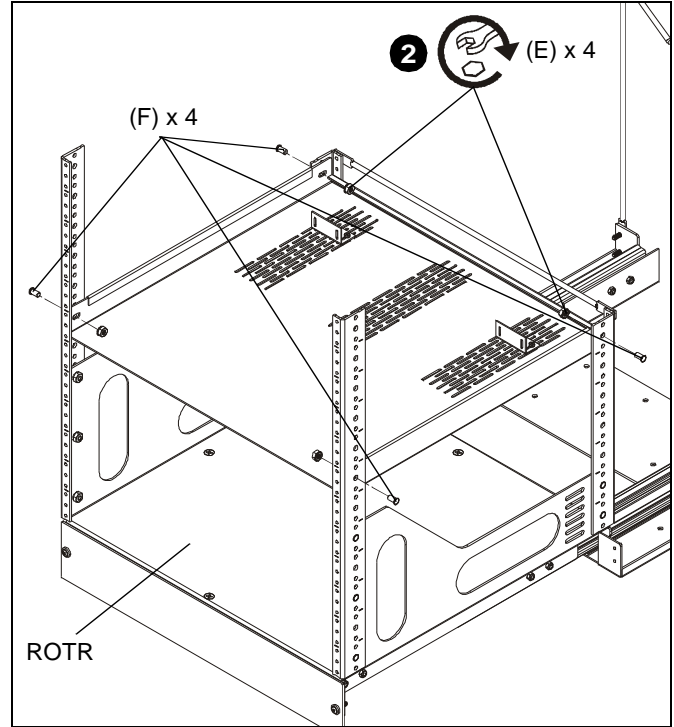
**NOTE:** Brackets may be installed anywhere on shelf where there are mounting slots based on user preference.



**Figure 1**

2. Use four 1/4-20" lock nuts (E) and four 1/4-20 x 1/2" pem studs (F) to secure shelf to ROTR rack at desired mounting height. (See Figure 2)

**IMPORTANT ! :** Shelf can only be mounted using larger diameter holes in ROTR rack rails. Pem studs will not fit through the smaller holes.



**Figure 2**



**WARNING:** Exceeding the weight capacity can result in serious personal injury or damage to equipment! It is the installer's responsibility to make sure the combined weight of all components located within the rack does not exceed 250 lbs (113.4 kg). Use with products heavier than the maximum weight indicated may result in instability or collapse of the rack causing possible injury.

3. Install desired components to shelf.









Our Mounts. **Your Vision.**

Chief Manufacturing, a products division  
of Milestone AV Technologies

8800-002243 Rev00  
©2012 Milestone AV Technologies, a  
Duchossois Group Company  
[www.chiefmfg.com](http://www.chiefmfg.com)  
12/12

|                          |   |
|--------------------------|---|
| <b>USA/International</b> | <b>A</b> 6436 City West Parkway, Eden Prairie, MN 55344<br><b>P</b> 800.582.6480 / 952.225.6000<br><b>F</b> 877.894.6918 / 952.894.6918                 |
| <b>Europe</b>            | <b>A</b> Franklinstraat 14, 6003 DK Weert, Netherlands<br><b>P</b> +31 (0) 495 580 852<br><b>F</b> +31 (0) 495 580 845                                  |
| <b>Asia Pacific</b>      | <b>A</b> Office No. 1 on 12/F, Shatin Galleria<br>18-24 Shan Mei Street<br>Fotan, Shatin, Hong Kong<br><b>P</b> 852 2145 4099<br><b>F</b> 852 2145 4477 |

