

INSTALLATION INSTRUCTIONS

SAMS-2132 PLASMA DISPLAY MOUNT

Prior to assembly, unpack carton completely and verify contents.

If you are missing any of the following components, please contact Customer Service at 1-800/582-6480

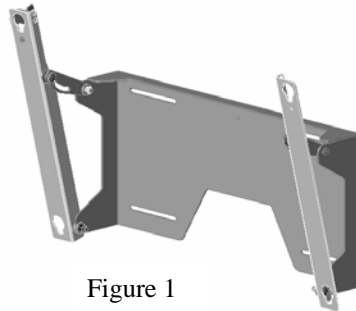


Figure 1

(1) Bracket, Plasma Mounting

(4) Screws, M8 x 35mm Button Head Cap

(1) Allen Key, 5mm

(4) Mounting Buttons, Nylon stepped

BEFORE PROCEEDING, READ INSTALLATION INSTRUCTIONS COMPLETELY

CAUTION! PLASMA DISPLAYS ARE EXTREMELY FRAGILE.

WARNING! ALL COMPONENTS MUST BE SECURELY FASTENED TO A STRUCTURAL MEMBER CAPABLE OF SUPPORTING 4 TIMES THE COMBINED WEIGHT OF ALL COMPONENTS PLUS THE EQUIPMENT BEING MOUNTED. IF IT CANNOT SUPPORT THIS WEIGHT, THE STRUCTURE MUST BE REINFORCED. THE MAXIMUM WEIGHT TO BE INSTALLED ON THE MOUNT IS 175 POUNDS (79.38 KG).

1. Attach mounting buttons to back of display using the M8 x 35mm button head cap screws provided (see Figure 2 and Figure 3).

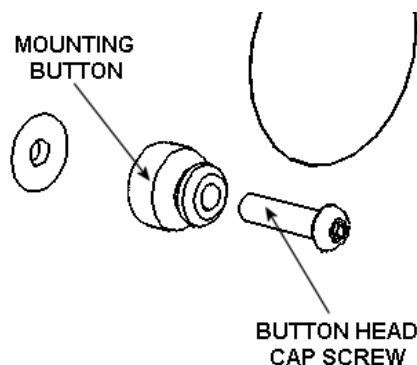


Figure 2

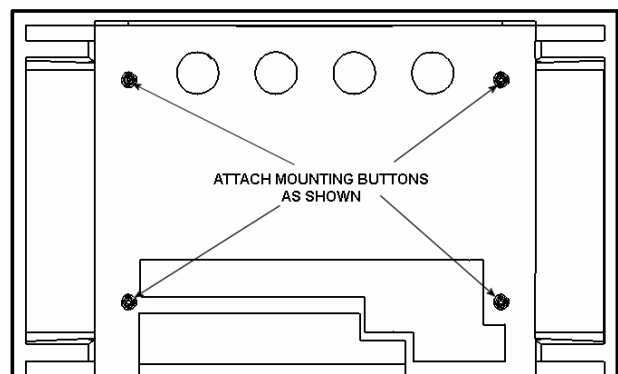


Figure 3



CHIEF MANUFACTURING INC.
1-800-582-6480 952-894-6280 FAX 952-894-6918
8401 EAGLE CREEK PKWY, STE. 700
SAVAGE, MINNESOTA 55378 USA

8804-000189 REV. A
2004 Chief Manufacturing
www.chiefmfg.com
10/04

- Securely anchor plasma mount to the wall using wall studs or supporting framework (see Figure 4). The small center hole can be used to lightly hold the mount in place while marking drill hole locations.

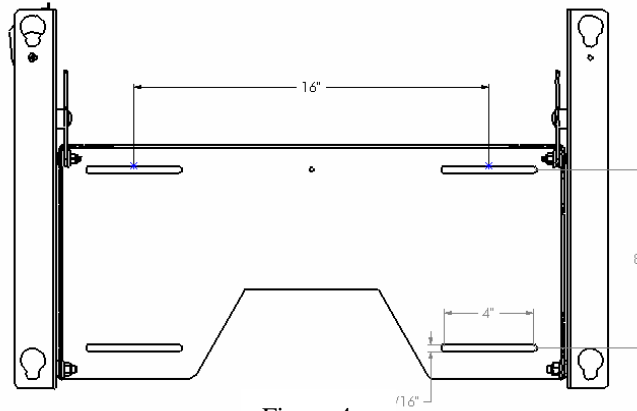


Figure 4

- Make sure the flag is lowered to the side before attempting to place the display on the mount (See Figure 5).

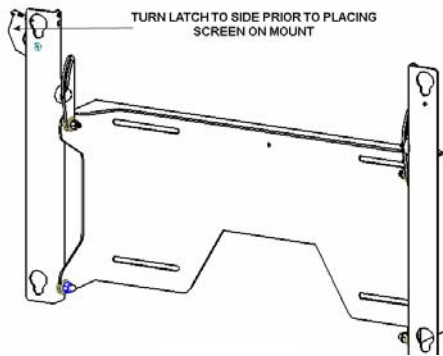


Figure 5

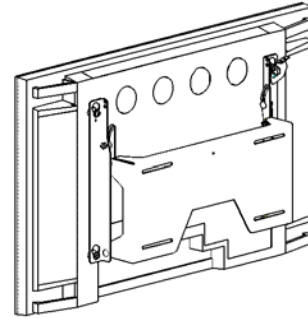


Figure 6

- With the aid of another person, lift the display up to the mount, align the mounting buttons on the display with the teardrop slots in the mount, and set the display into place. Position (raise) the flag to secure the display (See Figure 6)
- Set mount to desired tilt and tighten nuts, a 1/2" wrench required (See Figure 7).

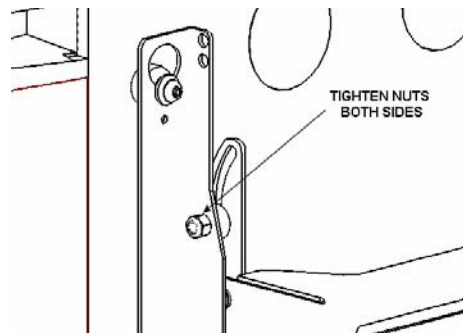


Figure 7