

INSTALLATION INSTRUCTIONS

SEC2 SECURITY CABLE KIT

The SEC2 Security Cable Kit is designed for use with Chief® Series Projector Mounts. See the specific installation instructions provided with the mount for additional installation information.

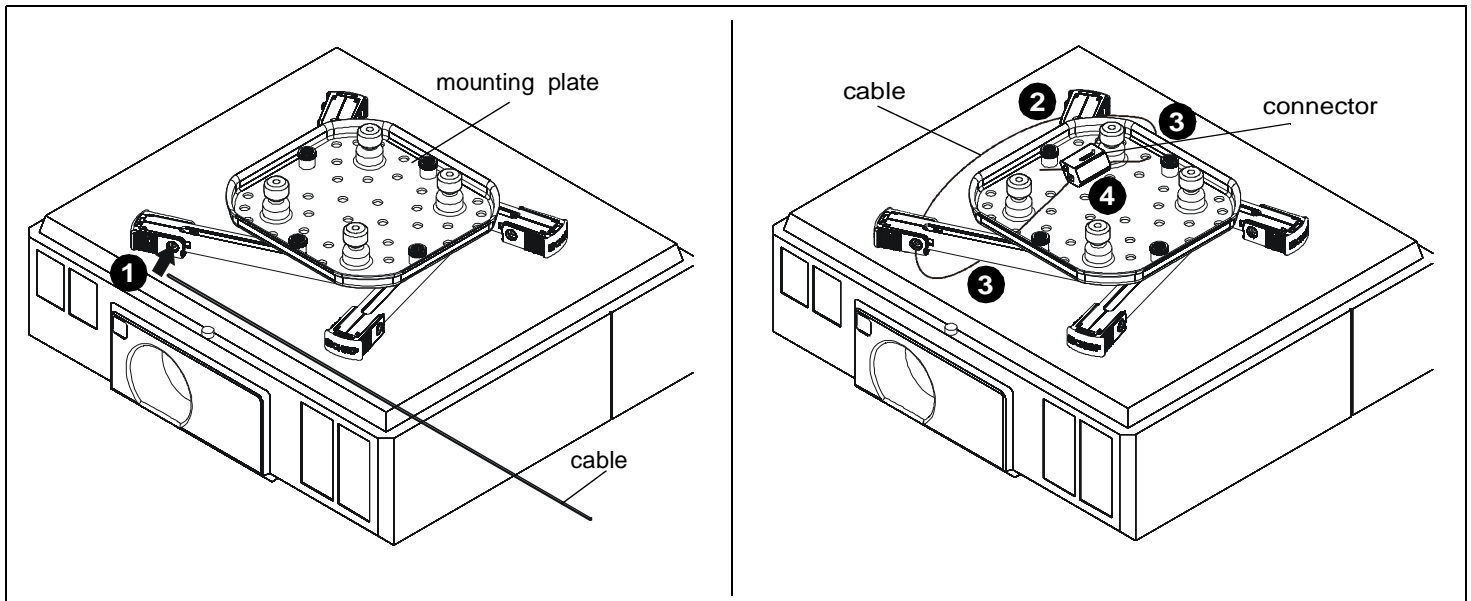
Unpack carton and verify kit contents. If any listed parts are missing, immediately contact a Chief Customer Service representative.



WARNING: IMPROPER INSTALLATION CAN LEAD TO EQUIPMENT FALLING CAUSING SERIOUS PERSONAL INJURY AND DAMAGE TO EQUIPMENT! DO NOT substitute hardware. Use only hardware supplied by manufacturer!

(2) 1/16 x 18" Cables

(2) Cable support connectors



Installation Instructions

NOTE: Projector must be removed from interface bracket prior to installing SEC2 cables in order to gain access to the mounting plate surface.

1. Thread 1/16 x 18" cable through holes on mounting leg.
2. Repeat Step 1 for an adjacent leg.
3. Thread each end of cable through a hole on mounting plate.
4. Insert each end of cable into cable support connector and tighten as needed.
5. Repeat Steps 1-4 on the other side of the mount with the other cable and connector.
6. Complete projector installation according to interface mounting instructions.

Chief® is a registered trademark of Milestone AV Technologies. All rights reserved.



Milestone AV Technologies, and its affiliated corporations and subsidiaries (collectively, "Milestone"), intend to make this manual accurate and complete. However, Milestone makes no claim that the information contained herein covers all details, conditions or variations, nor does it provide for every possible contingency in connection with the installation or use of this product. The information contained in this document is subject to change without notice or obligation of any kind. Milestone makes no representation of warranty, expressed or implied, regarding the information contained herein. Milestone assumes no responsibility for accuracy, completeness or sufficiency of the information contained in this document.