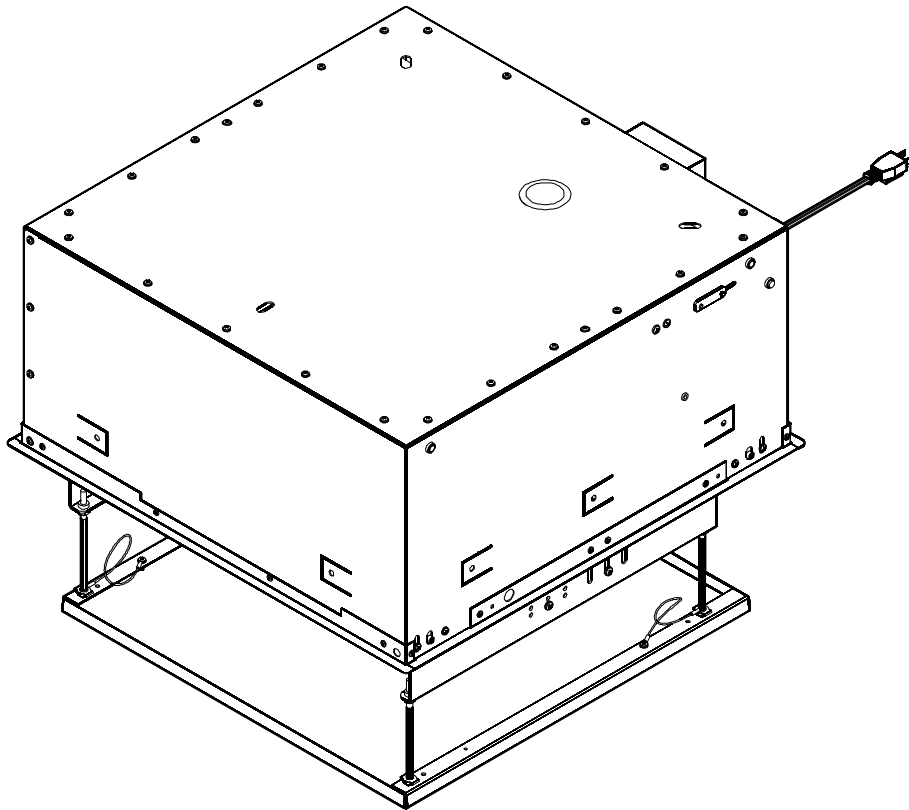

SERVICE MANUAL



Motor Replacement

DISCLAIMER

Milestone AV Technologies and its affiliated corporations and subsidiaries (collectively "Milestone"), intend to make this manual accurate and complete. However, Milestone makes no claim that the information contained herein covers all details, conditions or variations, nor does it provide for every possible contingency in connection with the installation or use of this product. The information contained in this document is subject to change without notice or obligation of any kind. Milestone makes no representation of warranty, expressed or implied, regarding the information contained herein. Milestone assumes no responsibility for accuracy, completeness or sufficiency of the information contained in this document.



CAUTION: A CAUTION alerts you to the possibility of damage or destruction of equipment if you do not follow the corresponding instructions.



WARNING: Failure to read, thoroughly understand, and follow all instructions can result in serious personal injury, damage to equipment, or voiding of factory warranty! It is the installer's responsibility to make sure all components are properly assembled and installed using the instructions provided.

Chief® is a registered trademark of Milestone AV Technologies. All rights reserved.

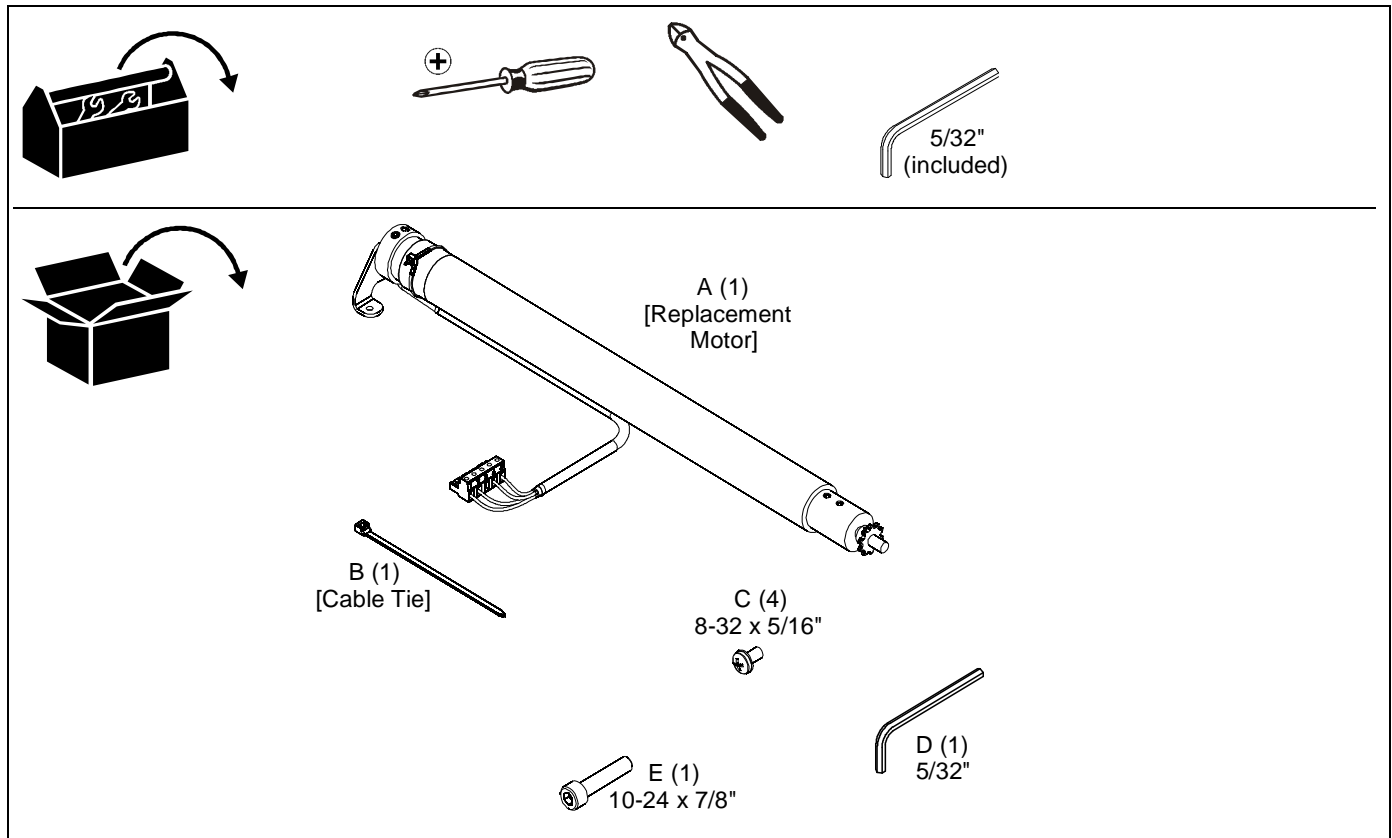


IMPORTANT WARNINGS AND CAUTIONS!



WARNING: A WARNING alerts you to the possibility of serious injury or death if you do not follow the instructions.

TOOLS FOR INSTALLATION / PARTS



REMOVING MOTOR

1. Fully lower SL151, if possible.
2. Turn off and remove power from SL151.
3. Remove ceiling pan following instructions included with the SL151.
4. Remove projector from SL151 following instructions included with the SL151.
5. Loosen, **BUT DO NOT REMOVE**, two screws from chain tensioning area. (See Figure 1)



CAUTION: DO NOT REMOVE TENSIONING SCREWS!!
 Removing either of these screws may cause problems in the tensioning system which MAY require complete removal of the SL151 from the ceiling for repair.

6. Fully loosen one screw to allow plenty of slack in the chain. (See Figure 1)
7. Remove and save motor connector cover screws. (See Figure 2)
8. Remove motor connector cover. (See Figure 2)
9. Cut cable tie which is holding motor wiring in place. (See Figure 2)
10. Unplug motor from control box. (See Figure 2)

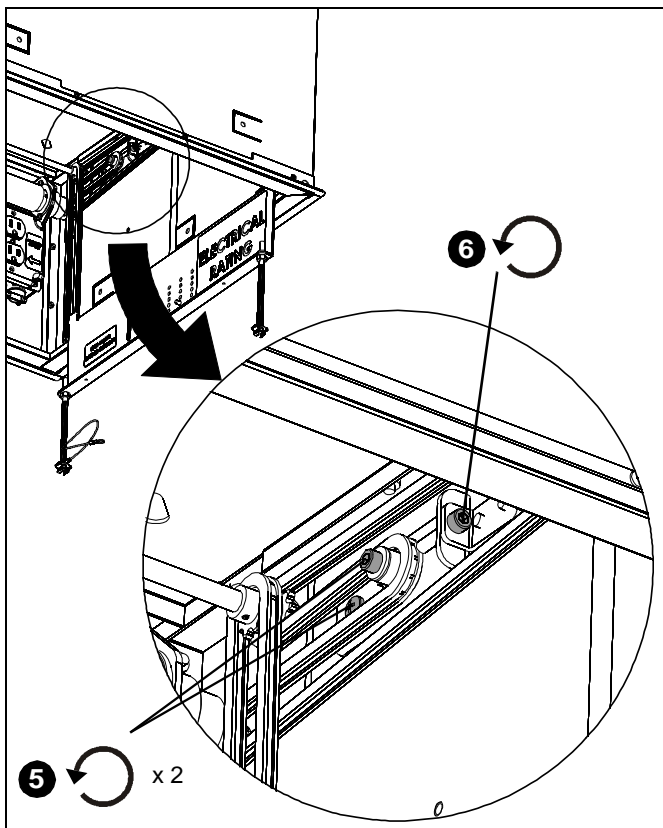


Figure 1

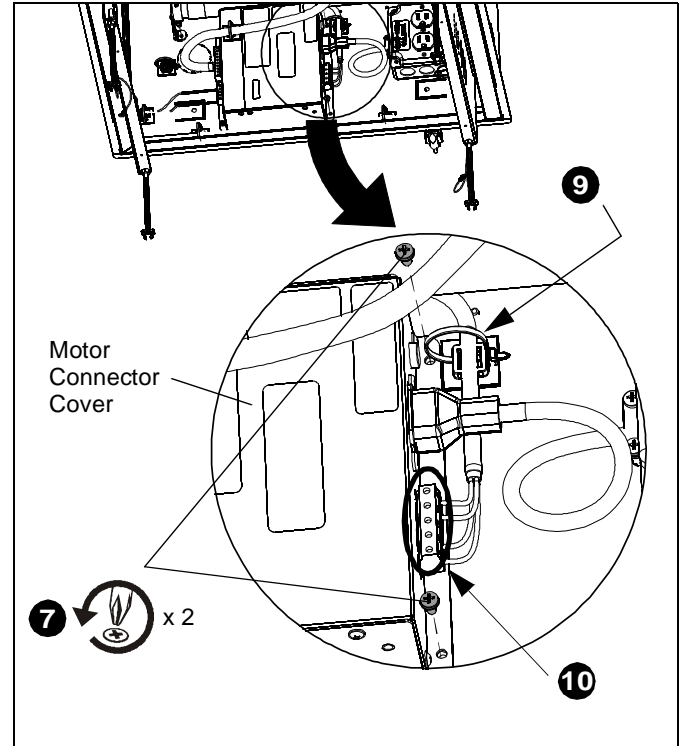


Figure 2

IMPORTANT ! : If the SL151 was not able to be fully lowered (in Step 1) the motor may rotate when the rear motor mounting screws are removed.



CAUTION: DAMAGE TO SL151 MAY OCCUR! Support projector mounting apparatus while motor is disconnected until the chain has been removed from the motor sprocket (in Step 13).

11. Remove and save two rear motor mounting screws.
12. Slide motor to the left out of bushings.
13. Remove chain from sprocket on end of motor.

NOTE: If necessary, completely remove the screw loosened in Step 6.

14. If the SL151 was not able to be fully lowered (in Step 1), carefully lower the projector mounting apparatus to the fully lowered position.

NOTE: If necessary, use a screwdriver or similar tool to guide the chain around some of the sprockets.

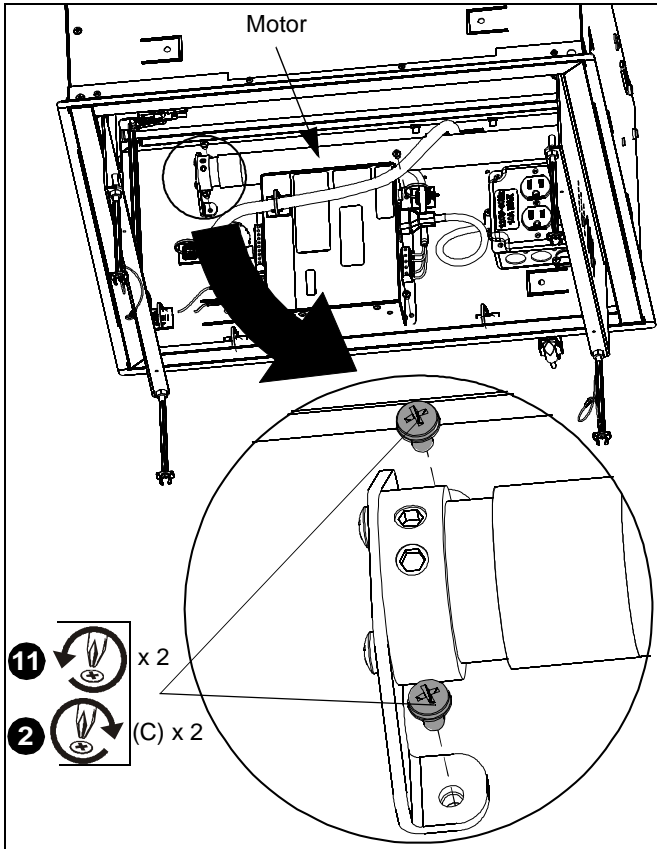


Figure 3

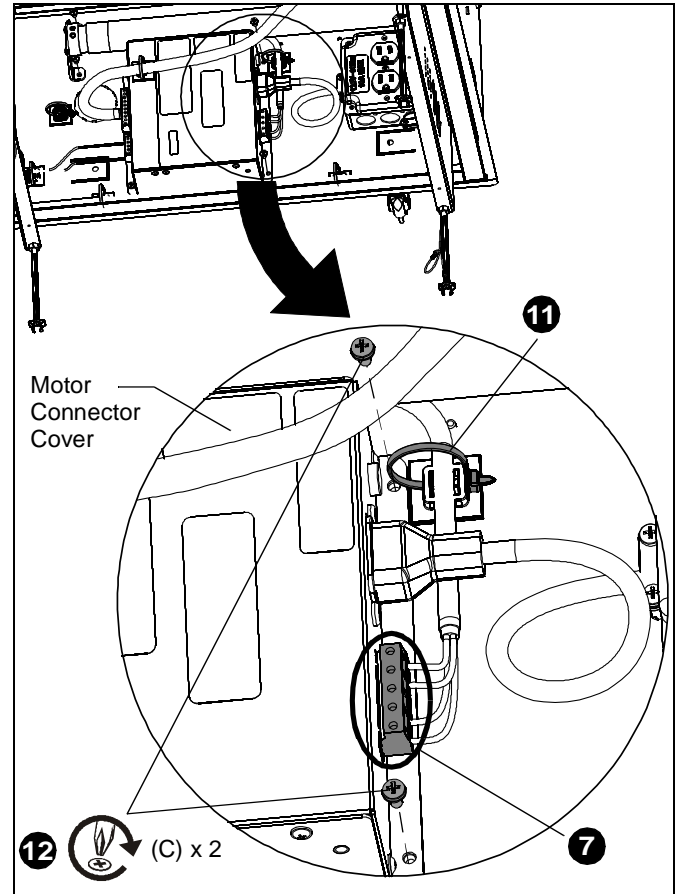


Figure 4

REPLACING MOTOR

1. Install chain onto sprocket on end of new motor.

IMPORTANT ! : When reinstalling chain onto the motor sprocket, ensure SL151 sides are straight and level or the lift may not engage limit switches correctly.

2. Slide motor into bushings and reinstall two rear motor mounting Phillips screws (removed in Step 11), or two Phillips 8-32 x 5/16" screws (C). (See Figure 3)
3. Ensure that chain is routed correctly. (See Figure 5)
4. Tighten chain using screw loosened in Step 6 of **Removing Motor** section.
5. Tighten one Phillips screw loosened in Step 5 of **Removing Motor** section. (See Figure 5)
6. Tighten remaining socket head cap screw loosened in Step 5 of **Removing Motor** section. (See Figure 5)

IMPORTANT ! : When tightening chain, ensure SL151 sides are straight and level or the lift may not engage limit switches correctly.

7. Plug motor into control box. (See Figure 4)

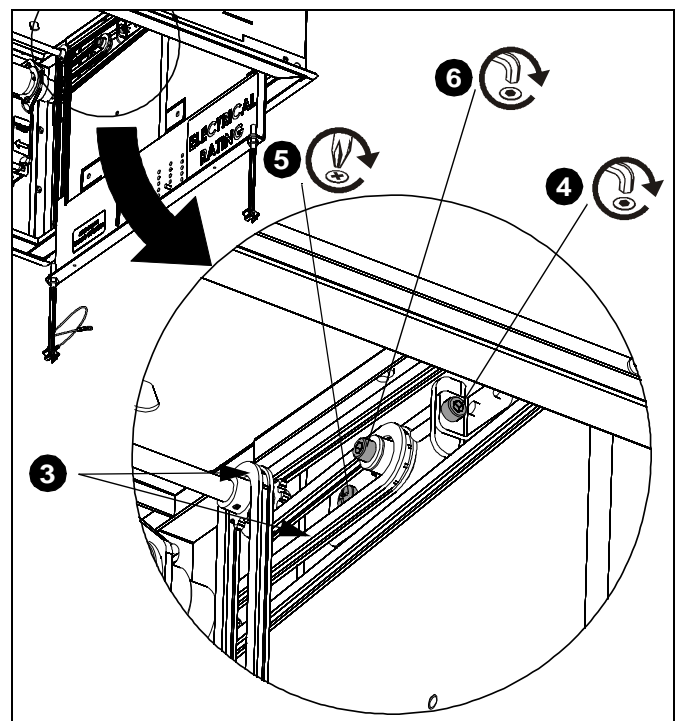


Figure 5

8. Restore power to SL151.
9. Verify that SL151 is operating properly when moving up and down.
10. Remove power from SL151.
11. Add cable tie to hold motor wiring in place. (See Figure 4)
12. Replace motor connector cover and reinstall two Phillips screws (removed in Step 7 of **Removing Motor** section), or two Phillips 8-32 x 5/16" screws (C). (See Figure 4)
13. Reinstall the projector into the SL151 following instructions included with the SL151.
14. Reinstall ceiling pan following instructions included with the SL151.
15. Restore power to SL151.



Our Mounts. **Your Vision.**

Chief Manufacturing, a products division
of Milestone AV Technologies

8820-002007 Rev01
©2010 Milestone AV Technologies, a
Duchossois Group Company
www.chiefmfg.com
04/10

USA/International	A 8401 Eagle Creek Parkway, Savage, MN 55378 P 800.582.6480 / 952.894.6280 F 877.894.6918 / 952.894.6918
Europe	A Fellenoord 130 5611 ZB EINDHOVEN, The Netherlands P +31 (0)40 2668620 F +31 (0)40 2668615
Asia Pacific	A Office No. 1 on 12/F, Shatin Galleria 18-24 Shan Mei Street Fotan, Shatin, Hong Kong P 852 2145 4099 F 852 2145 4477

