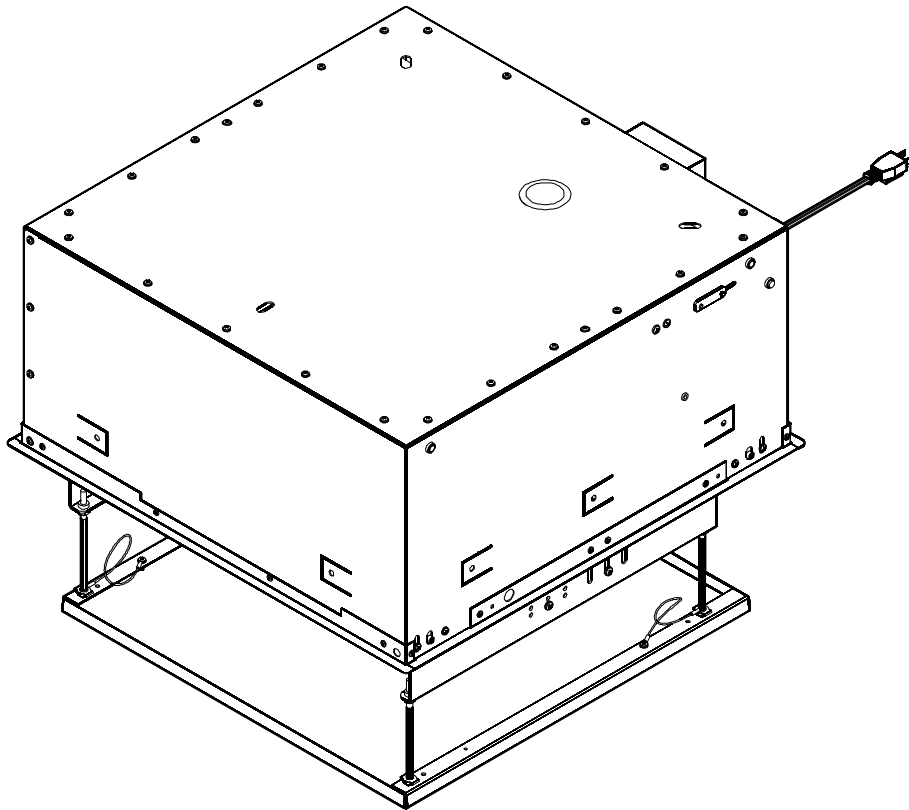


---

# SERVICE MANUAL

---



---

## Extend Limit Switch Replacement

---

## DISCLAIMER

Milestone AV Technologies and its affiliated corporations and subsidiaries (collectively "Milestone"), intend to make this manual accurate and complete. However, Milestone makes no claim that the information contained herein covers all details, conditions or variations, nor does it provide for every possible contingency in connection with the installation or use of this product. The information contained in this document is subject to change without notice or obligation of any kind. Milestone makes no representation of warranty, expressed or implied, regarding the information contained herein. Milestone assumes no responsibility for accuracy, completeness or sufficiency of the information contained in this document.

Chief® is a registered trademark of Milestone AV Technologies. All rights reserved.



**CAUTION:** A CAUTION alerts you to the possibility of damage or destruction of equipment if you do not follow the corresponding instructions.



**WARNING:** Failure to read, thoroughly understand, and follow all instructions can result in serious personal injury, damage to equipment, or voiding of factory warranty! It is the installer's responsibility to make sure all components are properly assembled and installed using the instructions provided.

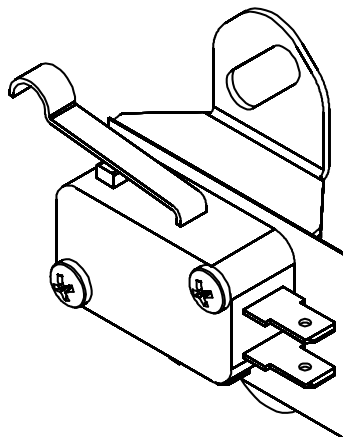
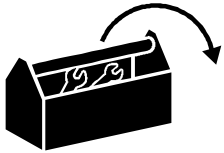


## IMPORTANT WARNINGS AND CAUTIONS!



**WARNING:** A WARNING alerts you to the possibility of serious injury or death if you do not follow the instructions.

## TOOLS FOR INSTALLATION / PARTS



A (1)  
[Extend Limit  
Assembly]



B (2)  
8-32 x 5/16"

## REMOVING EXTEND LIMIT SWITCH

1. Fully retract SL151.
2. Turn off and remove power from SL151.
3. Remove ceiling pan following instructions included with the SL151.
4. Remove projector from SL151 following instructions included with the SL151.
5. Remove two wires from switches, being careful to note their position on switches. (See Figure 1)

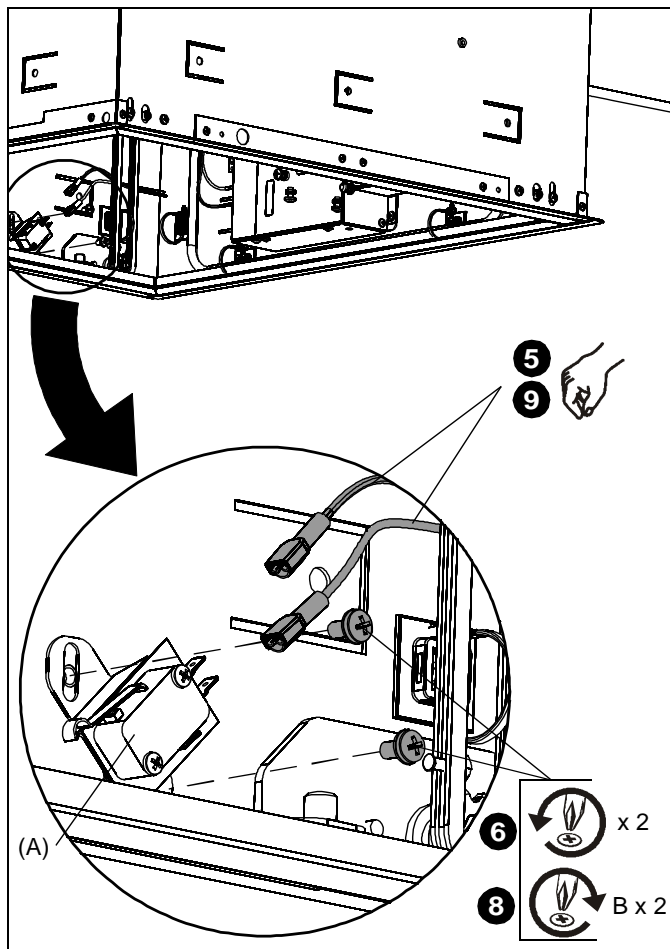


Figure 1

6. Remove two Phillips head screws from limit assembly. (See Figure 1)
7. Remove and discard the limit switch assembly.

## INSTALLING EXTEND LIMIT SWITCH

8. Install the new limit switch assembly (A) and fasten using two Phillips screws (removed in Step 6 of **Removing Extend Limit Switch** section), or two Phillips 8-32 x 5/16" screws (B). (See Figure 1)
9. Reattach two wires to switches, being careful to reattach each to correct switch. (See Figure 2)

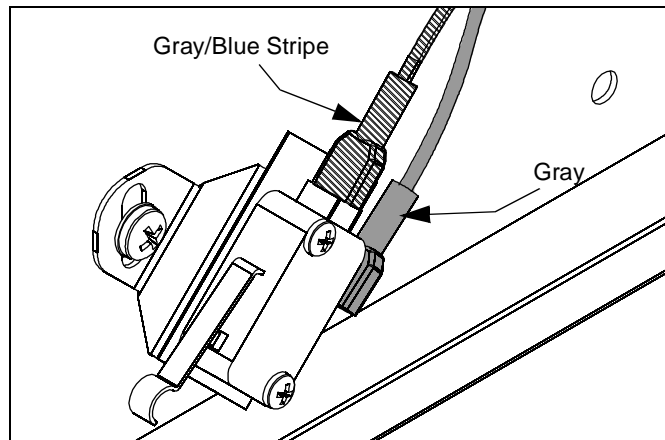
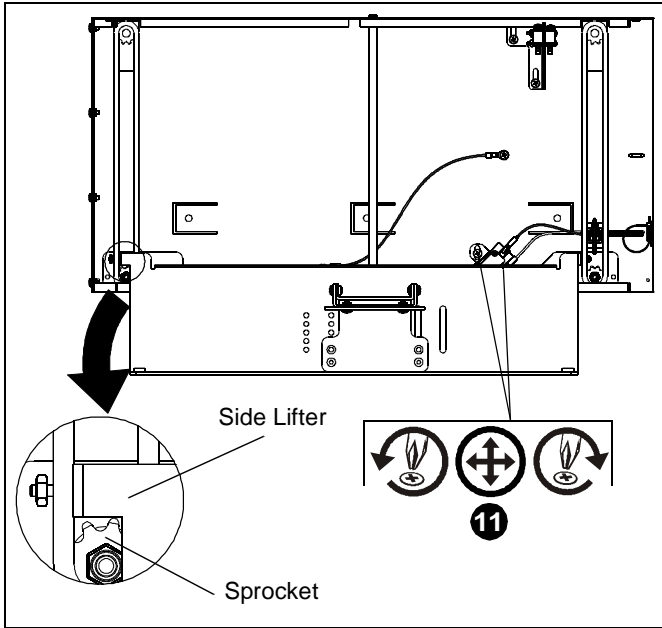


Figure 2

10. Restore power to SL151 and lower (fully extend) the SL151.

**NOTE:** The motor should turn off and the side lifter should **ALMOST** touch the sprocket when the SL151 is fully extended.

- If the motor does **NOT** turn off, the limit switch is set to allow the lift to extend too far.
  - If the side lifter is not almost touching the sprocket, the limit switch is set so that the lift will not extend far enough.
11. If necessary, loosen adjustment screws on limit switch, adjust switch and tighten adjustment screws.
  12. Raise and lower (fully extend) the SL151. The SL151 will stop in a new position.
    - Inspect the SL151 to see if the side lifter **ALMOST** touches sprocket. If not, repeat Step 12 until the side lifter **ALMOST** touches the sprocket (See Figure 3)



**Figure 3**

13. Turn off and remove power from SL151.
14. Reinstall the projector into the SL151 following instructions included with the SL151.
15. Reinstall ceiling pan following instructions included with the SL151.
16. Restore power to SL151.









Our Mounts. **Your Vision.**

Chief Manufacturing, a products division  
of Milestone AV Technologies

8820-002011 Rev00  
©2009 Milestone AV Technologies, a  
Duchossois Group Company  
[www.chiefmfg.com](http://www.chiefmfg.com)  
09/09

**USA/International** A 8401 Eagle Creek Parkway, Savage, MN 55378  
P 800.582.6480 / 952.894.6280  
F 877.894.6918 / 952.894.6918

**Europe** A Fellenoord 130 5611 ZB EINDHOVEN, The Netherlands  
P +31 (0)40 2668620  
F +31 (0)40 2668615

**Asia Pacific** A Room 24F, Block D, Lily YinDu International Building  
LuoGang, BuJi Town, Shenzhen, CHINA.  
深圳市布吉罗岗村百合银都国际大厦D栋24F  
P +86-755-8996 9226  
F +86-755-8996 9217

