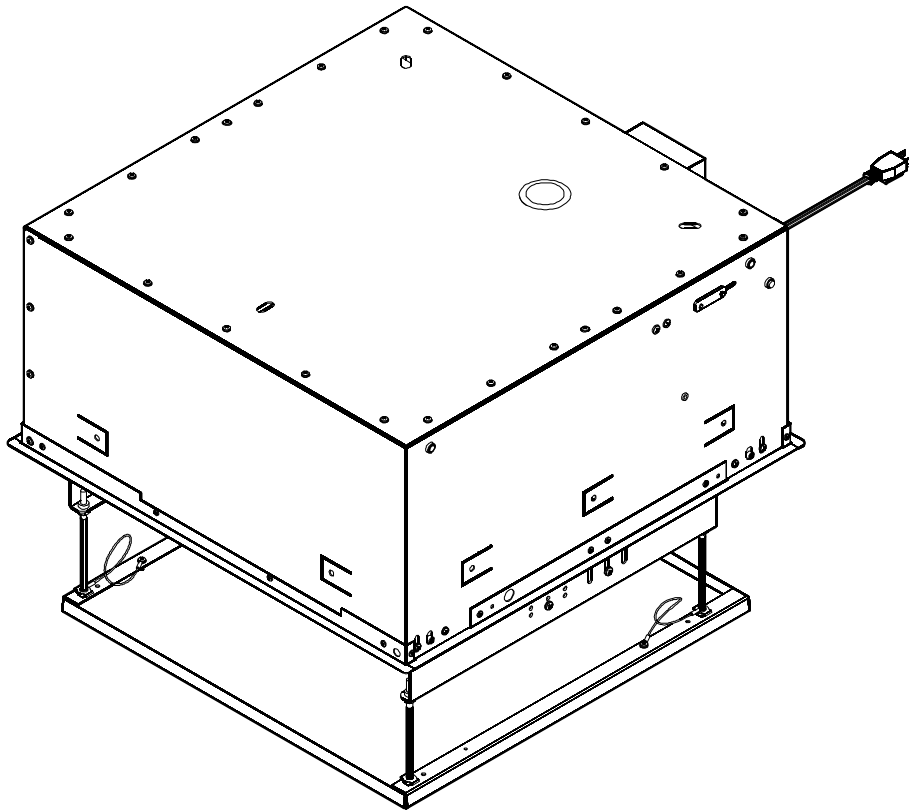

SERVICE MANUAL



Retract Limit Switch Replacement

DISCLAIMER

Milestone AV Technologies and its affiliated corporations and subsidiaries (collectively "Milestone"), intend to make this manual accurate and complete. However, Milestone makes no claim that the information contained herein covers all details, conditions or variations, nor does it provide for every possible contingency in connection with the installation or use of this product. The information contained in this document is subject to change without notice or obligation of any kind. Milestone makes no representation of warranty, expressed or implied, regarding the information contained herein. Milestone assumes no responsibility for accuracy, completeness or sufficiency of the information contained in this document.



CAUTION: A CAUTION alerts you to the possibility of damage or destruction of equipment if you do not follow the corresponding instructions.



WARNING: Failure to read, thoroughly understand, and follow all instructions can result in serious personal injury, damage to equipment, or voiding of factory warranty! It is the installer's responsibility to make sure all components are properly assembled and installed using the instructions provided.

Chief® is a registered trademark of Milestone AV Technologies. All rights reserved.

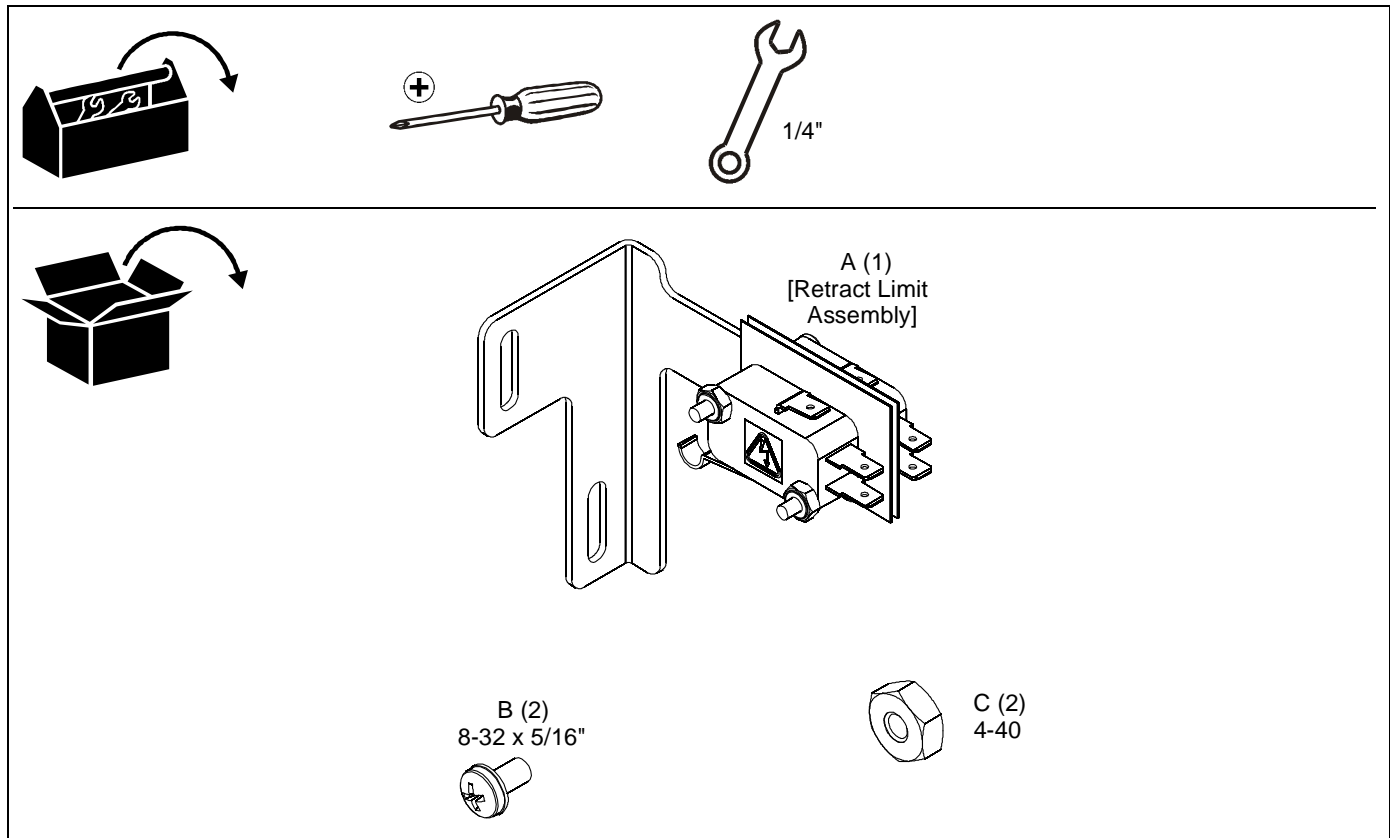


IMPORTANT WARNINGS AND CAUTIONS!



WARNING: A WARNING alerts you to the possibility of serious injury or death if you do not follow the instructions.

TOOLS FOR INSTALLATION / PARTS



REMOVING RETRACT LIMIT SWITCH

1. Fully extend SL151.
2. Turn off and remove power from SL151.
3. Remove ceiling pan following instructions included with the SL151.
4. Remove projector from SL151 following instructions included with the SL151.
5. Remove and save two nuts. (See Figure 1)
6. Remove and save limit switch cover. (See Figure 1)

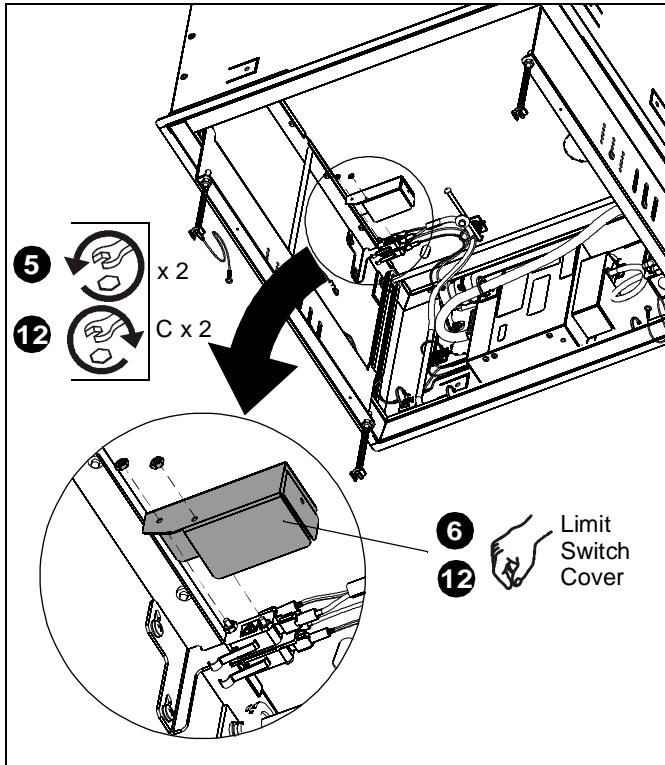


Figure 1

7. Remove four wires from switches being careful to note their position on switches. (See Figure 2)
8. Remove two Phillips head screws from limit assembly. (See Figure 2)
9. Remove and discard the limit switch assembly.

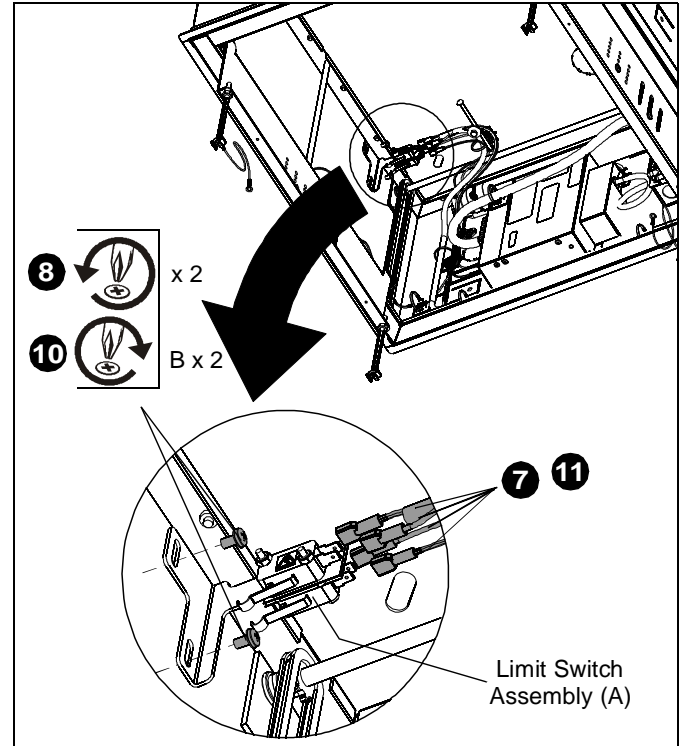


Figure 2

INSTALLING RETRACT LIMIT SWITCH

10. Install the new limit switch assembly (A) and fasten using two Phillips screws (removed in Step 8 of **Removing Retract Limit Switch** section), or two Phillips 8-32 x 5/16" screws (B). (See Figure 2)
11. Reattach four wires to switches, being careful to reattach each to correct switch. (See Figure 2) and (See Figure 3)

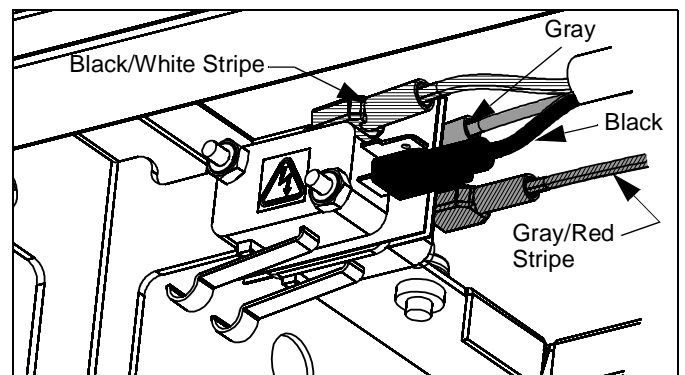


Figure 3

12. Restore power to SL151, and raise (retract fully) the SL151.

NOTE: The motor should turn off and the side lifter should ALMOST touch the sprocket when the SL151 is fully raised.

- If the motor does NOT turn off, the limit switch is set to allow the lift to retract too far.
- If the side lifter is not almost touching the sprocket, the limit switch is set so that the lift will not retract far enough.

13. If necessary, loosen adjustment screws on limit switch, adjust switch and tighten adjustment screws.

14. Lower and raise (retract fully) the SL151. The SL151 will stop in a new position.

- Inspect the SL151 to see if the side lifter ALMOST touches sprocket. If not, repeat Step 13 until the side lifter ALMOST touches the sprocket (See Figure 4)

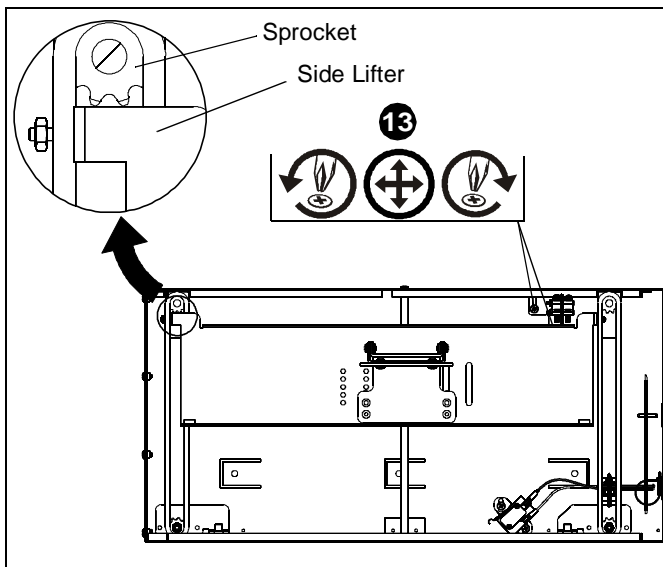


Figure 4

15. Ensure SL151 is fully lowered.

16. Turn off and remove power from SL151.

17. Replace limit switch cover and fasten using two 4-40 nuts (removed in Step 5 of **Removing Retract Limit Switch** section), or two 4-40 nuts (C). (See Figure 1)

18. Reinstall the projector into the SL151 following instructions included with the SL151.

19. Reinstall ceiling pan following instructions included with the SL151.

20. Restore power to SL151.



Our Mounts. **Your Vision.**

Chief Manufacturing, a products division
of Milestone AV Technologies

8820-002012 Rev00
©2009 Milestone AV Technologies, a
Duchossois Group Company
www.chiefmfg.com
09/09

USA/International A 8401 Eagle Creek Parkway, Savage, MN 55378
P 800.582.6480 / 952.894.6280
F 877.894.6918 / 952.894.6918

Europe A Fellenoord 130 5611 ZB EINDHOVEN, The Netherlands
P +31 (0)40 2668620
F +31 (0)40 2668615

Asia Pacific A Room 24F, Block D, Lily YinDu International Building
LuoGang, BuJi Town, Shenzhen, CHINA.
深圳市布吉罗岗村百合银都国际大厦D栋24F
P +86-755-8996 9226
F +86-755-8996 9217

