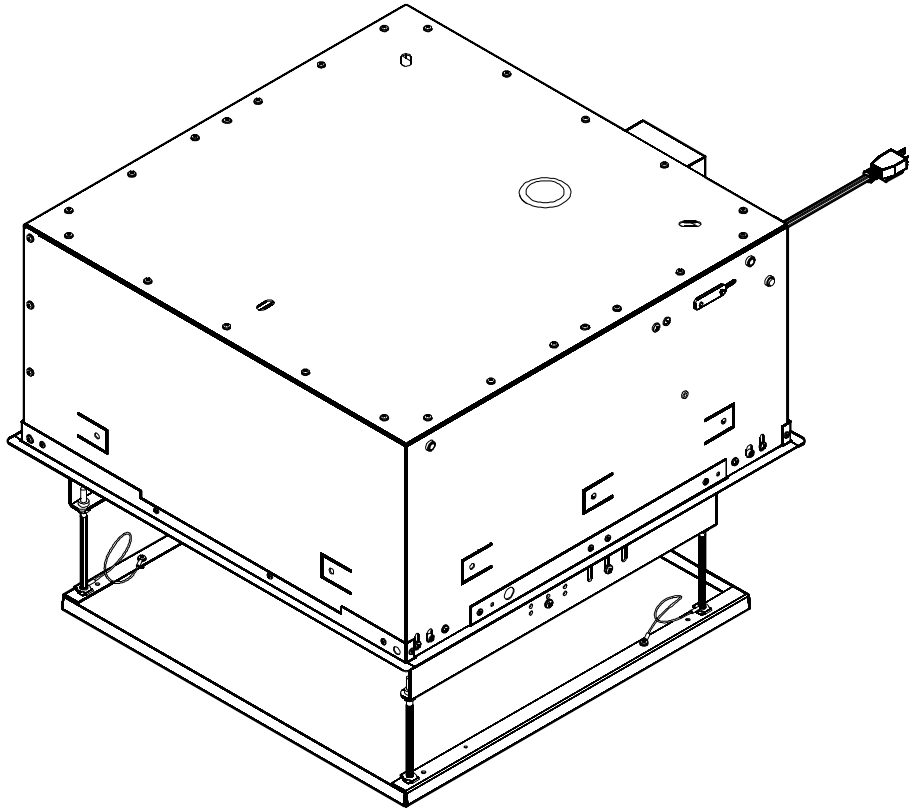

SERVICE MANUAL



Maintenance

DISCLAIMER

Milestone AV Technologies and its affiliated corporations and subsidiaries (collectively "Milestone"), intend to make this manual accurate and complete. However, Milestone makes no claim that the information contained herein covers all details, conditions or variations, nor does it provide for every possible contingency in connection with the installation or use of this product. The information contained in this document is subject to change without notice or obligation of any kind. Milestone makes no representation of warranty, expressed or implied, regarding the information contained herein. Milestone assumes no responsibility for accuracy, completeness or sufficiency of the information contained in this document.

Chief® is a registered trademark of Milestone AV Technologies. All rights reserved.



CAUTION: A CAUTION alerts you to the possibility of damage or destruction of equipment if you do not follow the corresponding instructions.



WARNING: Failure to read, thoroughly understand, and follow all instructions can result in serious personal injury, damage to equipment, or voiding of factory warranty! It is the installer's responsibility to make sure all components are properly assembled and installed using the instructions provided.

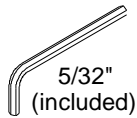
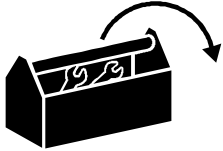


IMPORTANT WARNINGS AND CAUTIONS!



WARNING: A WARNING alerts you to the possibility of serious injury or death if you do not follow the instructions.

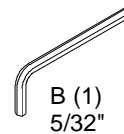
TOOLS FOR INSTALLATION / PARTS



5/32"
(included)



A (2)
[Lube Grease Pack]



B (1)
5/32"

LUBRICATION

1. Lubricate the length of the lift rods on two sides of the SL151, using a liberal amount of lube grease (A). (See Figure 1)

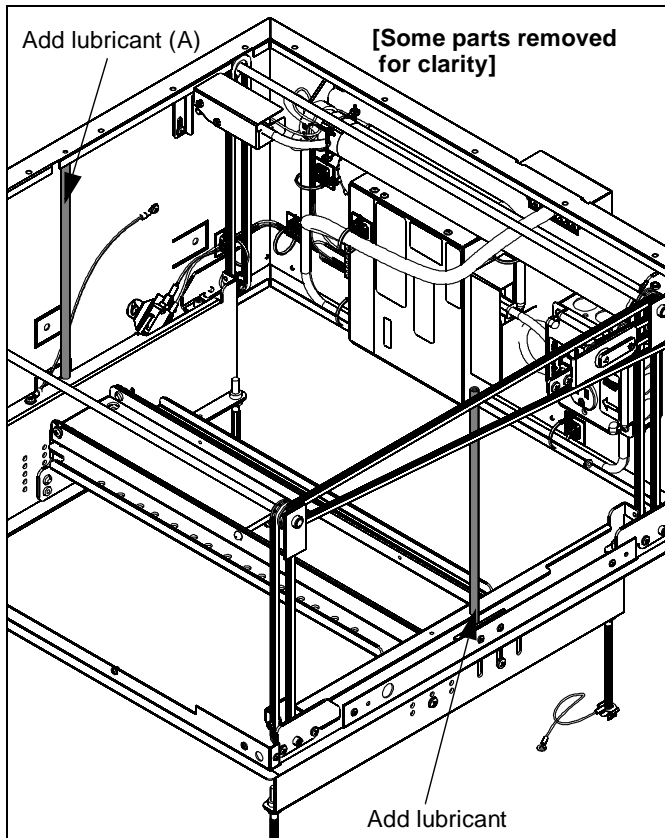


Figure 1

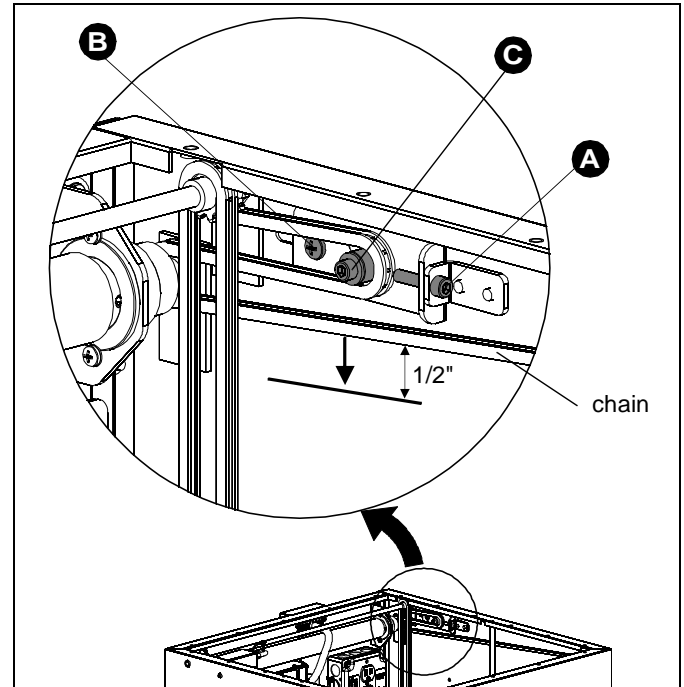


Figure 2

CHAIN TENSION

1. Check chain tension on SL151.

NOTE: Chain should have approximately 1/2" deflection in the middle of the span. (See Figure 2)

2. Adjust chain tension by loosening BUT NOT REMOVING the two tensioning screws (B, C). (See Figure 2)



CAUTION: DO NOT REMOVE TENSIONING SCREWS!! Removing either of these screws may cause problems in the tensioning system which MAY require complete removal of the SL151 from the ceiling for repair.

3. Adjust chain tension using tension screw (A).

IMPORTANT ! : Turn tension screw -

- Clockwise - more tension
- Counterclockwise - less tension

4. Once chain tension is correct, tighten tension screws (B, C) (See Figure 2)



Our Mounts. **Your Vision.**

Chief Manufacturing, a products division
of Milestone AV Technologies

8820-002013 Rev01
©2010 Milestone AV Technologies, a
Duchossois Group Company
www.chiefmfg.com
04/10

USA/International	A 8401 Eagle Creek Parkway, Savage, MN 55378 P 800.582.6480 / 952.894.6280 F 877.894.6918 / 952.894.6918
Europe	A Fellenoord 130 5611 ZB EINDHOVEN, The Netherlands P +31 (0)40 2668620 F +31 (0)40 2668615
Asia Pacific	A Office No. 1 on 12/F, Shatin Galleria 18-24 Shan Mei Street Fotan, Shatin, Hong Kong P 852 2145 4099 F 852 2145 4477

