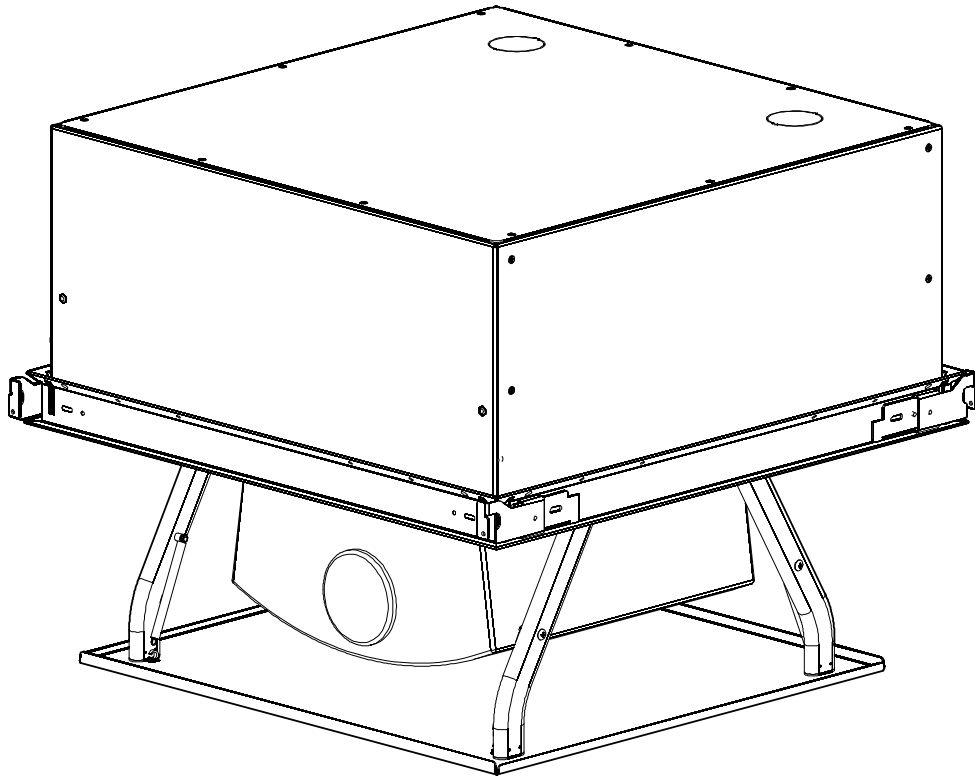

SERVICE MANUAL




SL-220 Maintenance


DISCLAIMER


Milestone AV Technologies and its affiliated corporations and subsidiaries (collectively "Milestone"), intend to make this manual accurate and complete. However, Milestone makes no claim that the information contained herein covers all details, conditions or variations, nor does it provide for every possible contingency in connection with the installation or use of this product. The information contained in this document is subject to change without notice or obligation of any kind. Milestone makes no representation of warranty, expressed or implied, regarding the information contained herein. Milestone assumes no responsibility for accuracy, completeness or sufficiency of the information contained in this document.


Chief® is a registered trademark of Milestone AV Technologies. All rights reserved.


IMPORTANT WARNINGS AND CAUTIONS!


 **WARNING:** A WARNING alerts you to the possibility of serious injury or death if you do not follow the instructions.

 **CAUTION:** A CAUTION alerts you to the possibility of damage or destruction of equipment if you do not follow the corresponding instructions.

 **WARNING:** Failure to read, thoroughly understand, and follow all instructions can result in serious personal injury, damage to equipment, or voiding of factory warranty! It is the installer's responsibility to make sure all components are properly assembled and installed using the instructions provided.





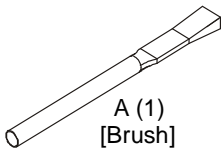


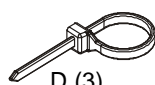
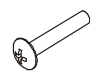
 **WARNING:** Use this mounting system only for its intended use as described in these instructions. Do not use attachments not recommended by the manufacturer.

 **WARNING:** Never operate this mounting system if it is damaged. Return the mounting system to a service center for examination and repair.

 **WARNING:** Do not use this product outdoors.

--SAVE THESE INSTRUCTIONS--

TOOLS FOR INSTALLATION / PARTS

			
	 A (1) [Brush]	 B (3) [Cable tie mount]	
	 C (1) [Lube]	 D (3) [4" cable tie]	 E (4) 08-32 x 1"

***NOTE:** The appearance of these parts may vary from the parts being removed during service due to Chief's program of continuous improvement.

Motor Driveshaft

Lube the motor driveshaft liberally using the supplied lube (C), as necessary.

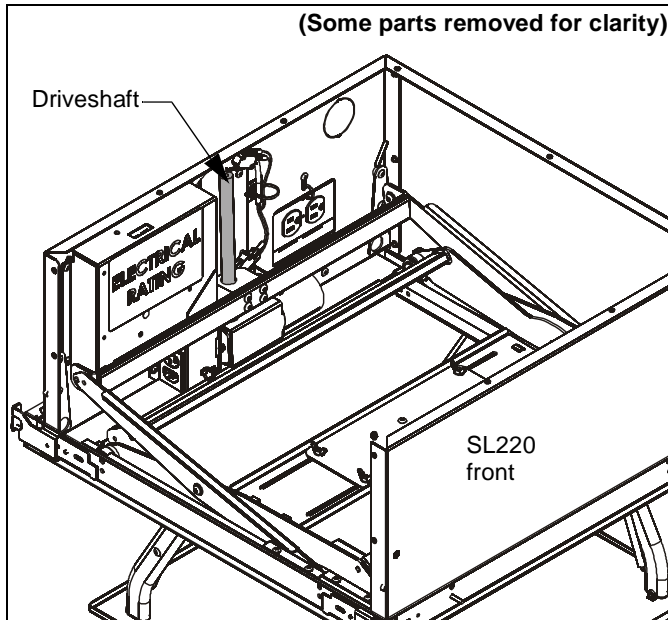


Figure 1

Wire and Cable Routing

1. Inspect wire and cable routing for chafing or pinching of wires and cables.
2. Use supplied cable ties (D) and cable tie mounts (B), as necessary, to secure cables.

Securement Screws

1. Inspect securement screws, ensuring that they are present and fastened tightly.
2. Insert and fasten 08-32 x 1" Phillips head screws (E), as required. (See Figure 2)

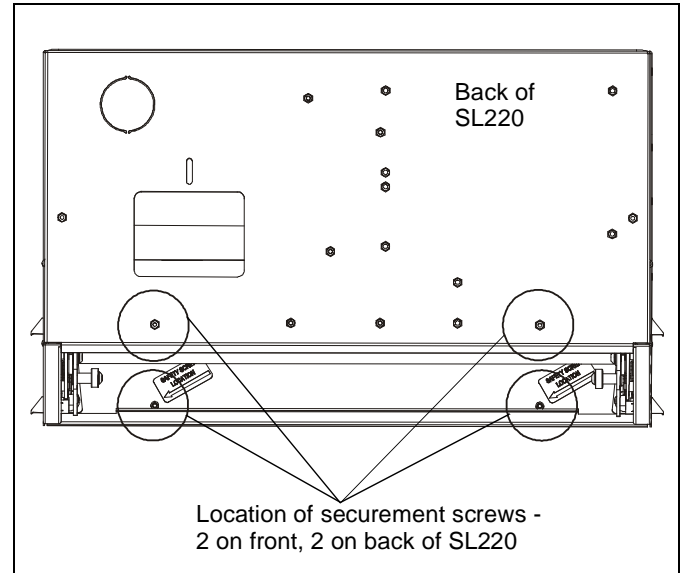


Figure 2

Ground Straps

Inspect the three ground straps, ensuring that none are chafing or missing. (See Figure 3)

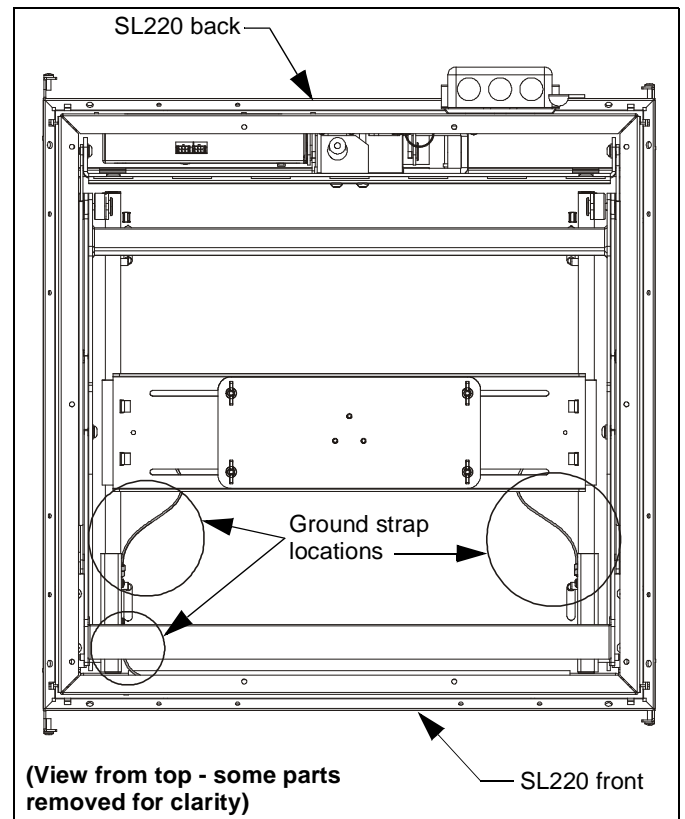


Figure 3



Our Mounts. **Your Vision.**

Chief Manufacturing, a products division
of Milestone AV Technologies

8820-002024 Rev00
©2012 Milestone AV Technologies, a
Duchossois Group Company
www.chiefmfg.com
08/12

USA/International	A 6436 City West Parkway, Eden Prairie, MN 55344
	P 800.582.6480 / 952.225.6000
	F 877.894.6918 / 952.894.6918
Europe	A Franklinstraat 14, 6003 DK Weert, Netherlands
	P +31 (0) 495 580 852
	F +31 (0) 495 580 845
Asia Pacific	A Office No. 1 on 12/F, Shatin Galleria 18-24 Shan Mei Street Fotan, Shatin, Hong Kong
	P 852 2145 4099
	F 852 2145 4477

