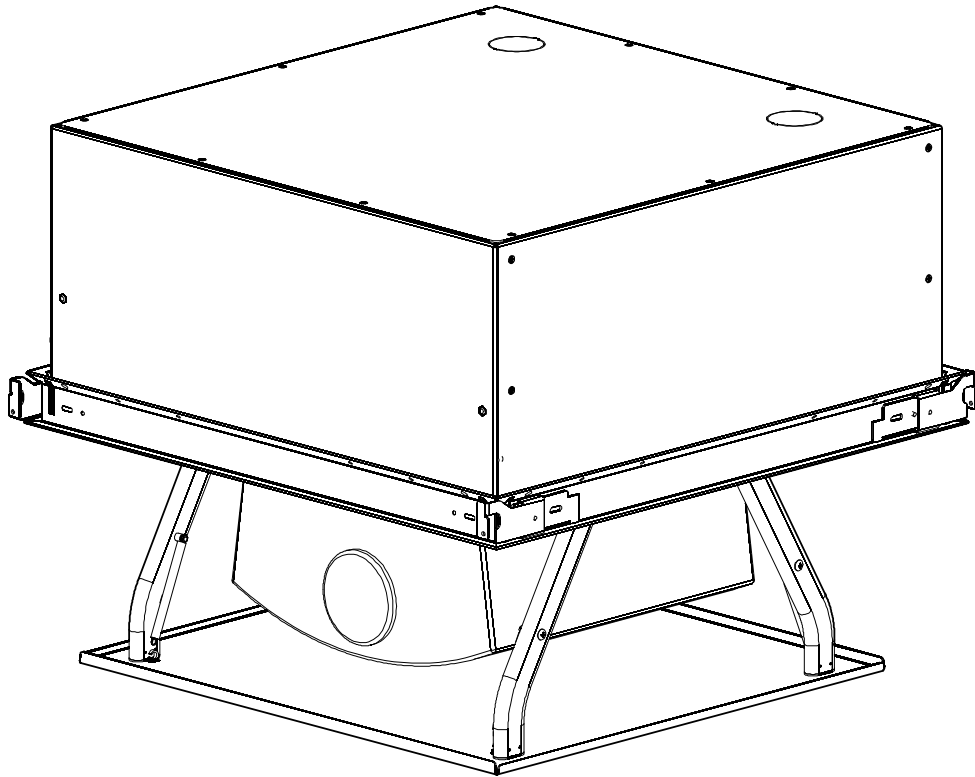


---

# SERVICE MANUAL

---



---

## Limit Switch Replacement


---


## DISCLAIMER


Milestone AV Technologies and its affiliated corporations and subsidiaries (collectively "Milestone"), intend to make this manual accurate and complete. However, Milestone makes no claim that the information contained herein covers all details, conditions or variations, nor does it provide for every possible contingency in connection with the installation or use of this product. The information contained in this document is subject to change without notice or obligation of any kind. Milestone makes no representation of warranty, expressed or implied, regarding the information contained herein. Milestone assumes no responsibility for accuracy, completeness or sufficiency of the information contained in this document.


Chief® is a registered trademark of Milestone AV Technologies. All rights reserved.


## IMPORTANT SAFETY INSTRUCTIONS


 **WARNING:** A WARNING alerts you to the possibility of serious injury or death if you do not follow the instructions.

 **CAUTION:** A CAUTION alerts you to the possibility of damage or destruction of equipment if you do not follow the corresponding instructions.

 **WARNING:** Failure to read, thoroughly understand, and follow all instructions can result in serious personal injury, damage to equipment, or voiding of factory warranty! It is the installer's responsibility to make sure all components are properly assembled and installed using the instructions provided.

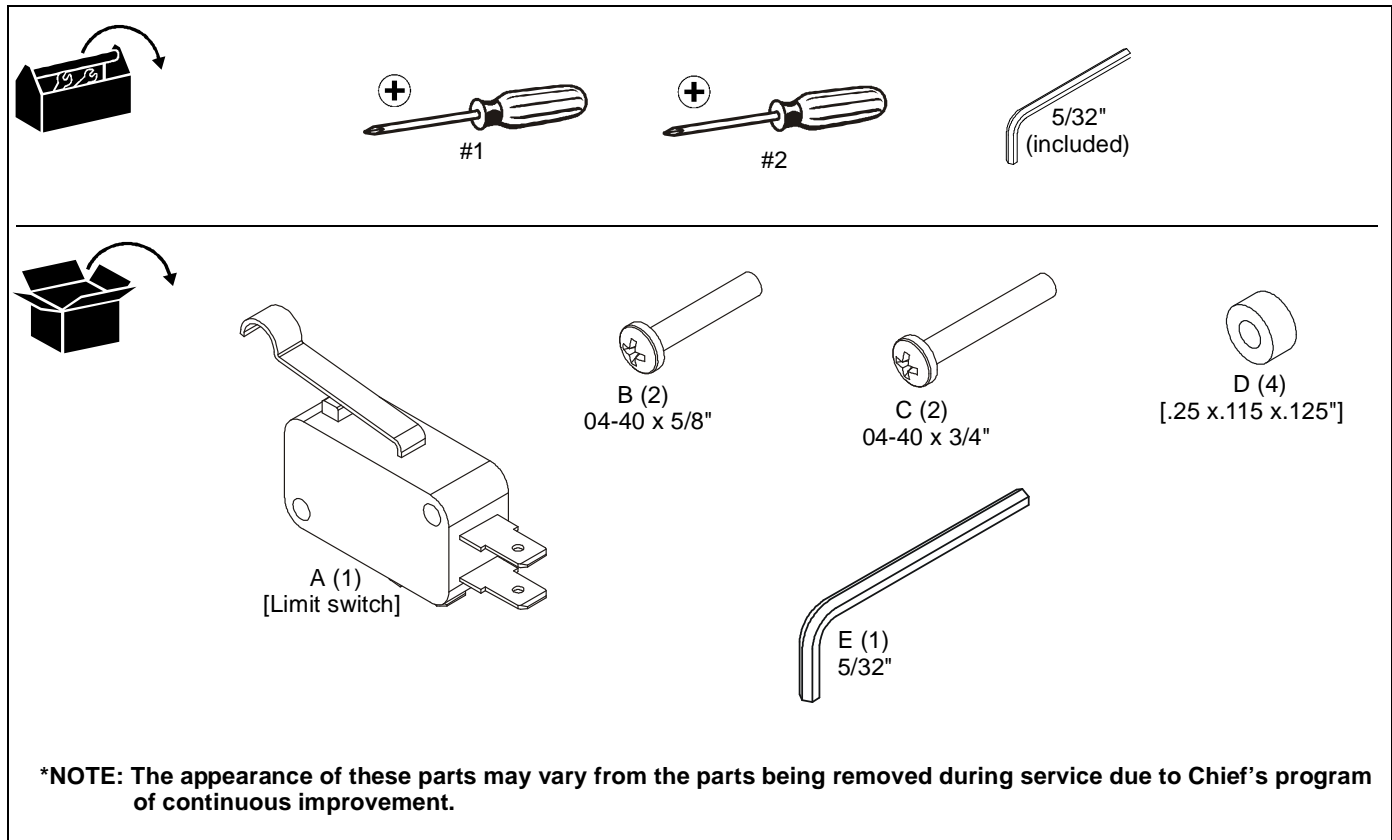
 **WARNING:** Use this mounting system only for its intended use as described in these instructions. Do not use attachments not recommended by the manufacturer.

 **WARNING:** Never operate this mounting system if it is damaged. Return the mounting system to a service center for examination and repair.





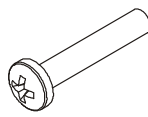
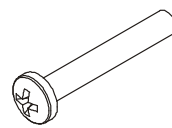

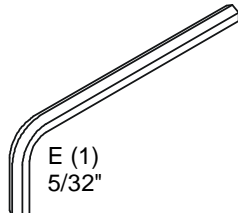
 **WARNING:** Do not use this product outdoors.

**--SAVE THESE INSTRUCTIONS--**

## TOOLS FOR INSTALLATION / PARTS



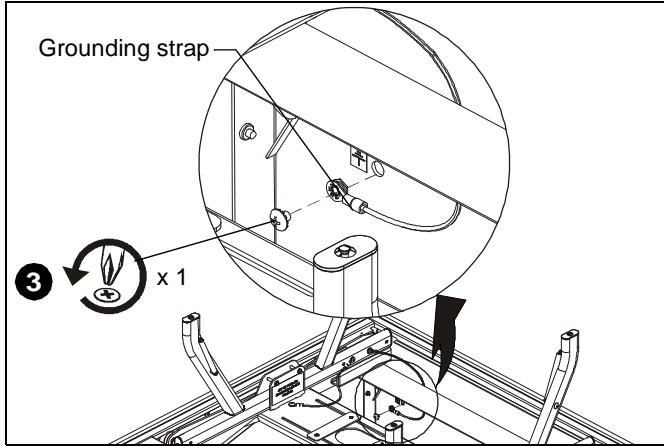
The image shows a list of tools and parts required for installation, organized into two rows. Each item is accompanied by a small icon and a label with a quantity and dimensions.

- Row 1:**
  -  #1
  -  #2
  -  5/32" (included)
- Row 2:**
  -  A (1) [Limit switch]
  -  B (2) 04-40 x 5/8"
  -  C (2) 04-40 x 3/4"
  -  D (4) [.25 x .115 x .125"]
  -  E (1) 5/32"

**\*NOTE:** The appearance of these parts may vary from the parts being removed during service due to Chief's program of continuous improvement.

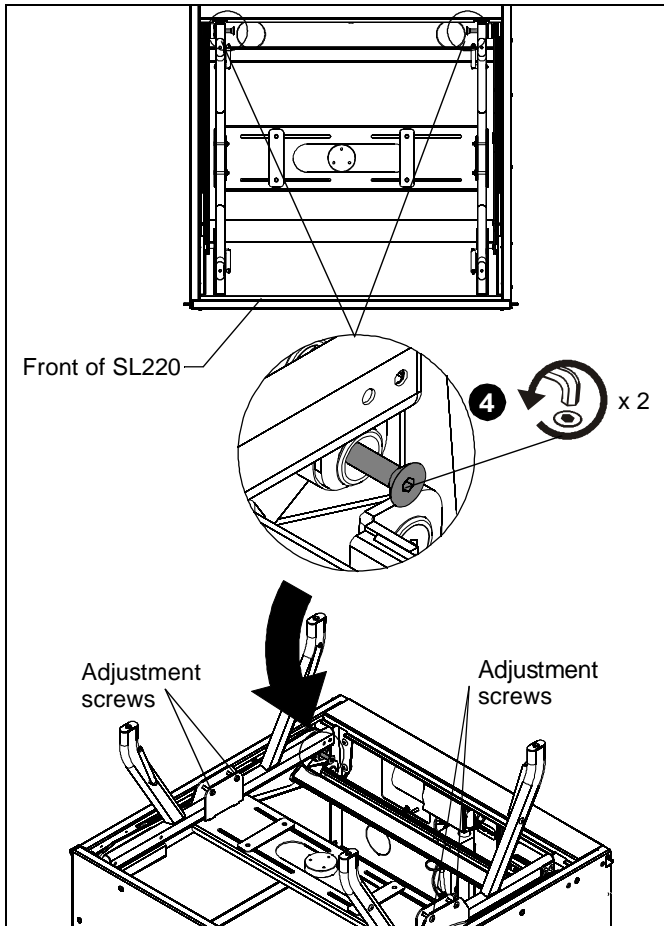
**PREPARATION**

1. Remove projector and cabling.
2. Unplug lift **and save** cord.
3. Remove **and save** Phillips head screw and disconnect the grounding strap leading from inside front of SL220 to projector cradle. (See Figure 1)



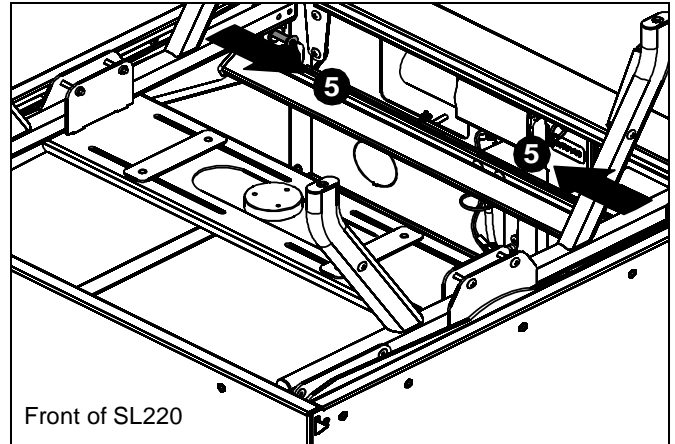
**Figure 1**

4. Loosen the screws in the linkage on each side of projector cradle at rear of SL220. (See Figure 2)



**Figure 2**

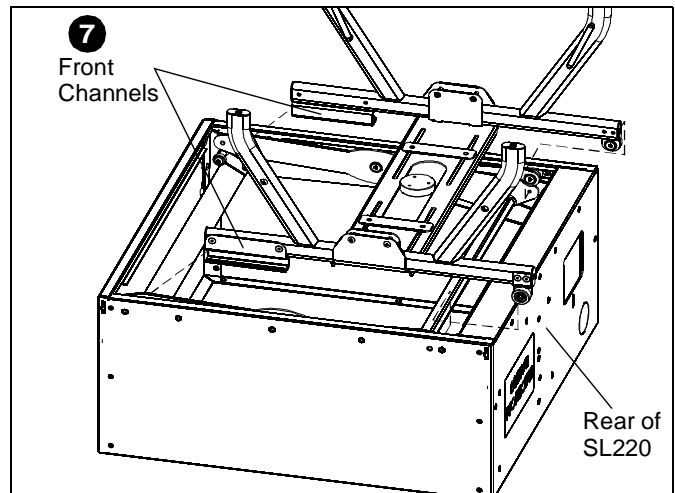
5. Gently pull projector cradle away from sides at rear of SL220. (See Figure 3)
6. The forward/aft adjustment screws may need to be loosened for this. If so, loosen the screws, but do NOT remove the screws. (See Figure 2)



**Figure 3**

7. While still pulling the projector cradle away from the sides of the SL220, slide front channels towards back, off of bearings and remove projector cradle from SL220. (See Figure 4)

**IMPORTANT !** : Save projector cradle for re-use.



**Figure 4**

## Replacing Limit Switch

1. Remove wires from limit switch being careful to note their position on switch.
2. Remove two screws and spacers from limit switch (4 spacers from upper limit switch, **OR** 2 spacers from the lower limit switch). (See Figure 5)
3. Remove and discard limit switch.
4. Install new limit switch (A):
  - For upper limit switch: Use two 04-40 x 3/4" Phillips screws (C) and **FOUR** spacers (D). (See Figure 5)
  - For lower limit switch: Use two 04-40 x 5/8" Phillips screws (B) and **TWO** spacers (D). (See Figure 5)
5. Attach wires to new limit switch (A), being careful to attach each to correct switch.
  - Red wires [**dark grey in Figure 5**] attach to retract (upper) limit switch (See Figure 5)
  - Blue wires [**light grey in Figure 5**] attach to extend (lower) limit switch. (See Figure 5)

**IMPORTANT !** : Be sure that red **OR** blue wires are connected to correct tabs on the replacement limit switch (A). (See Figure 5)

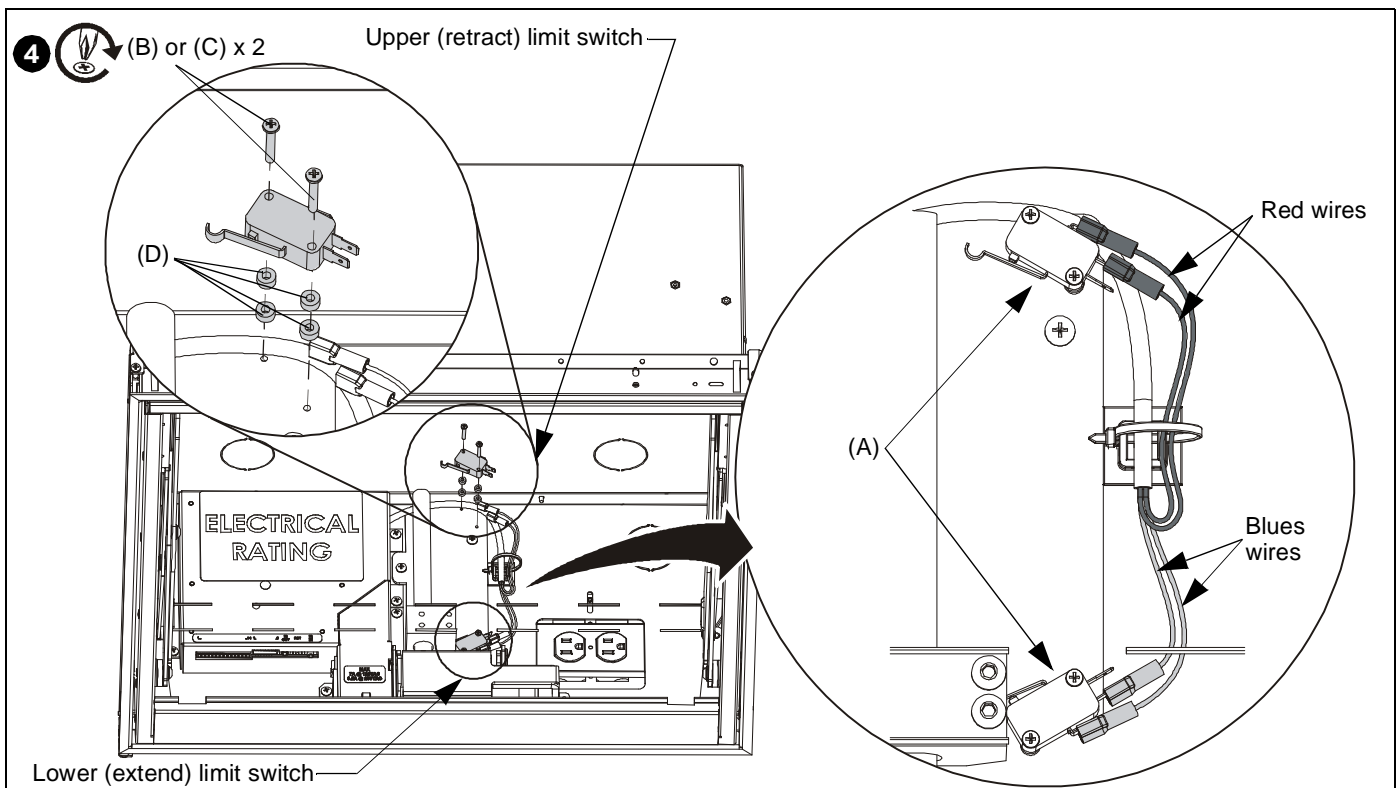


Figure 5

### COMPLETING REPLACEMENT

1. Slide front channels of previously removed projector cradle forward onto the SL220 bearings. (See Figure 6)

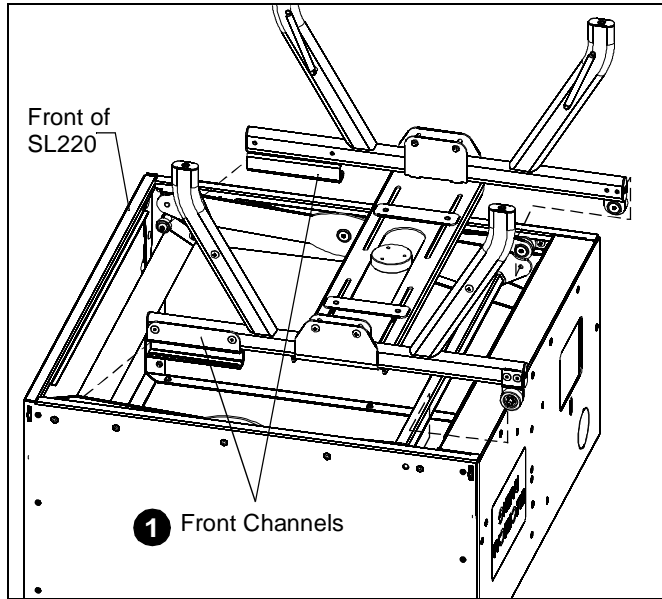


Figure 6

2. Line up rear spacers with attachment holes on SL220 arms. (See Figure 7)
3. Tighten rear spacers.

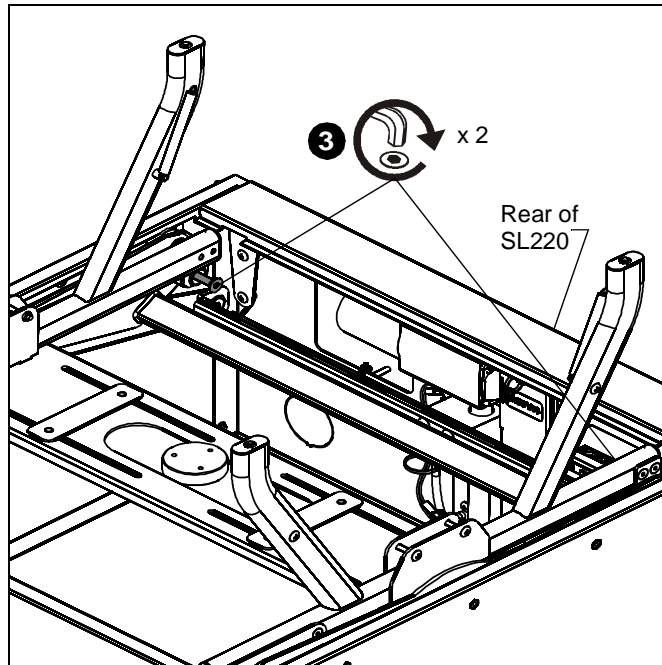


Figure 7

4. Reconnect grounding strap from inside front of SL220 to projector cradle, using the Phillips head screw previously removed. (See Figure 8)

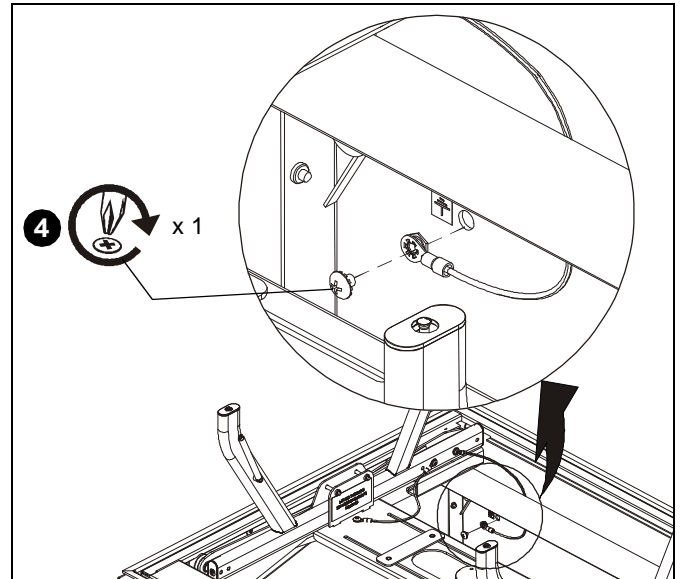


Figure 8

5. Plug in SL220 and verify proper operation.
6. Re-install projector and cabling, using cable tie mounts and cable ties, as required.
7. Test and adjust projector, as required.







Our Mounts. **Your Vision.**

Chief Manufacturing, a products division  
of Milestone AV Technologies

8820-002027 Rev00  
©2013 Milestone AV Technologies, a  
Duchossois Group Company  
[www.chiefmfg.com](http://www.chiefmfg.com)  
11/13

<b>USA/International</b>	<b>A</b> 6436 City West Parkway, Eden Prairie, MN 55344
	<b>P</b> 800.582.6480 / 952.225.6000
	<b>F</b> 877.894.6918 / 952.894.6918
<b>Europe</b>	<b>A</b> Franklinstraat 14, 6003 DK Weert, Netherlands
	<b>P</b> +31 (0) 495 580 852
	<b>F</b> +31 (0) 495 580 845
<b>Asia Pacific</b>	<b>A</b> Office No. 1 on 12/F, Shatin Galleria 18-24 Shan Mei Street Fotan, Shatin, Hong Kong
	<b>P</b> 852 2145 4099
	<b>F</b> 852 2145 4477

