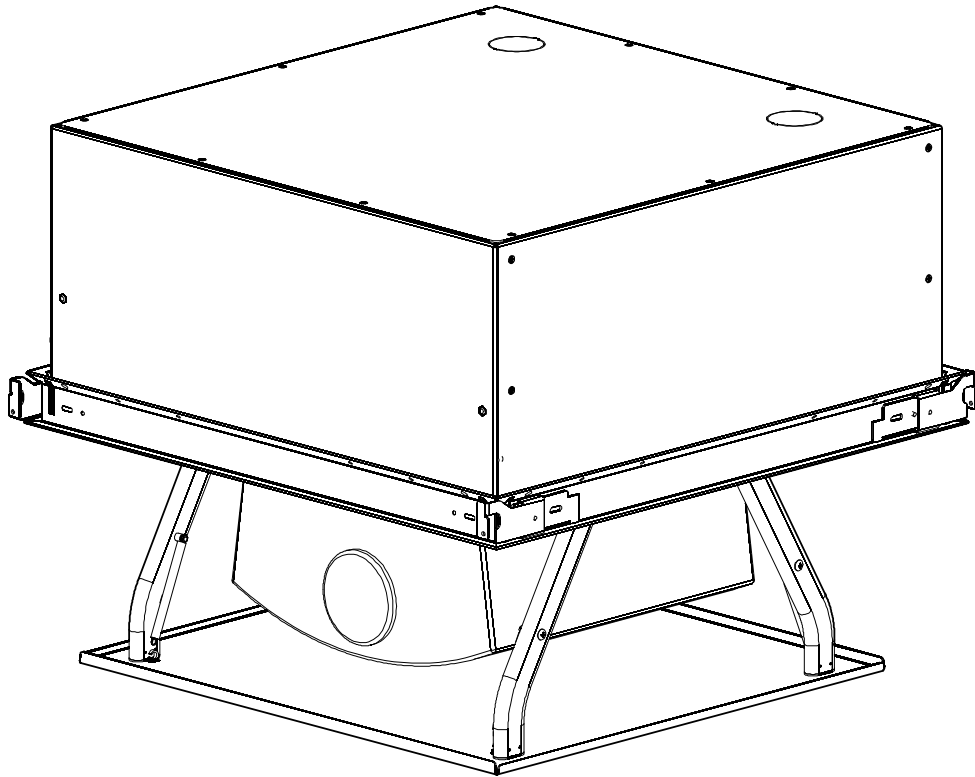

SERVICE MANUAL



Lift Assembly Replacement

DISCLAIMER

Milestone AV Technologies and its affiliated corporations and subsidiaries (collectively "Milestone"), intend to make this manual accurate and complete. However, Milestone makes no claim that the information contained herein covers all details, conditions or variations, nor does it provide for every possible contingency in connection with the installation or use of this product. The information contained in this document is subject to change without notice or obligation of any kind. Milestone makes no representation of warranty, expressed or implied, regarding the information contained herein. Milestone assumes no responsibility for accuracy, completeness or sufficiency of the information contained in this document.

Chief® is a registered trademark of Milestone AV Technologies. All rights reserved.

! IMPORTANT WARNINGS AND CAUTIONS!

! WARNING: A WARNING alerts you to the possibility of serious injury or death if you do not follow the instructions.

! CAUTION: A CAUTION alerts you to the possibility of damage or destruction of equipment if you do not follow the corresponding instructions.

! WARNING: Failure to read, thoroughly understand, and follow all instructions can result in serious personal injury, damage to equipment, or voiding of factory warranty! It is the installer's responsibility to make sure all components are properly assembled and installed using the instructions provided.

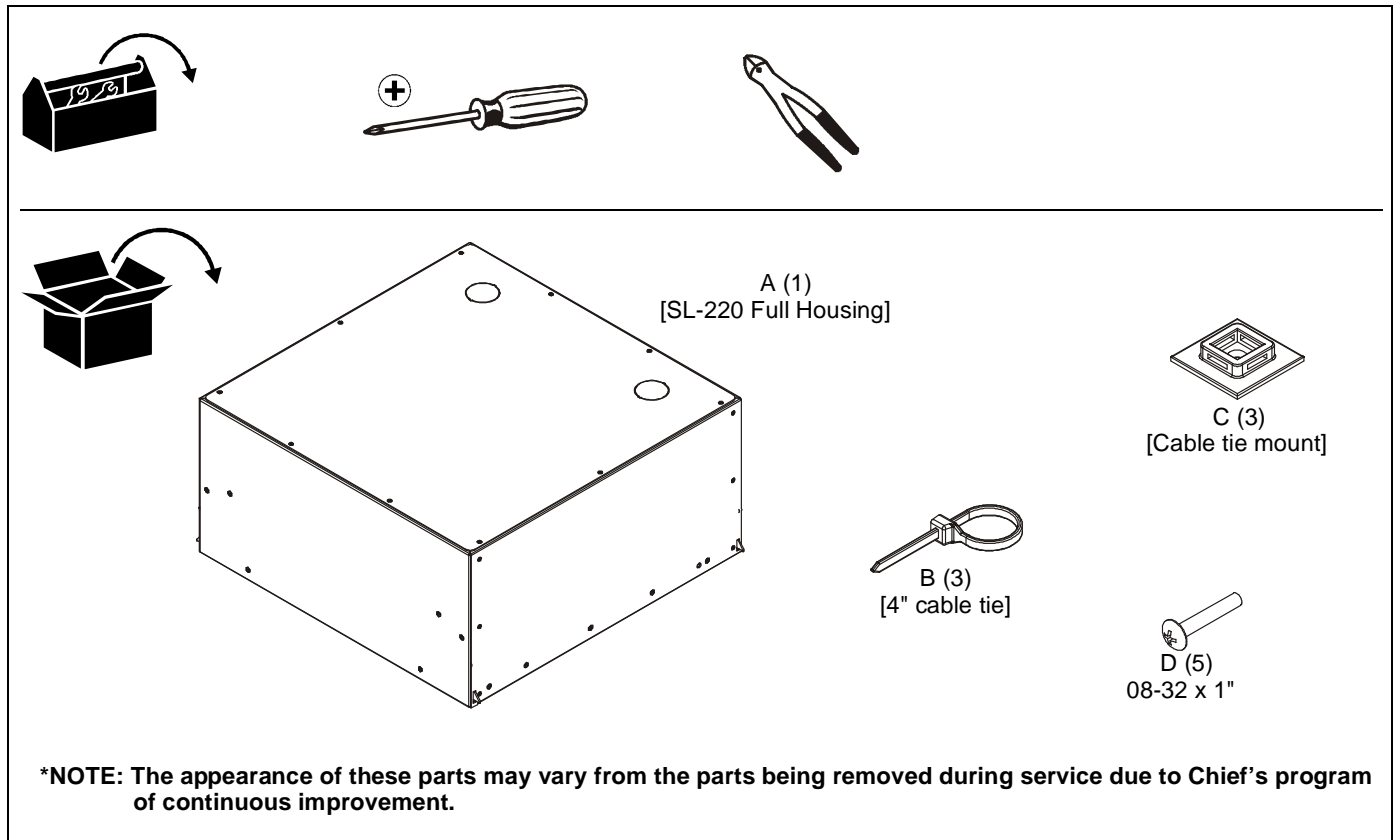
! WARNING: Use this mounting system only for its intended use as described in these instructions. Do not use attachments not recommended by the manufacturer.

! WARNING: Never operate this mounting system if it is damaged. Return the mounting system to a service center for examination and repair.

! WARNING: Do not use this product outdoors.

--SAVE THESE INSTRUCTIONS--

TOOLS FOR INSTALLATION / PARTS



A (1)
[SL-220 Full Housing]

C (3)
[Cable tie mount]

B (3)
[4" cable tie]

D (5)
08-32 x 1"

***NOTE:** The appearance of these parts may vary from the parts being removed during service due to Chief's program of continuous improvement.

REMOVE SL220

1. Remove projector and cabling.
2. Unplug lift **and save** cord.
3. Remove **and save** Phillips head screw and disconnect the grounding strap leading from inside front of SL220 to projector cradle. (See Figure 1)

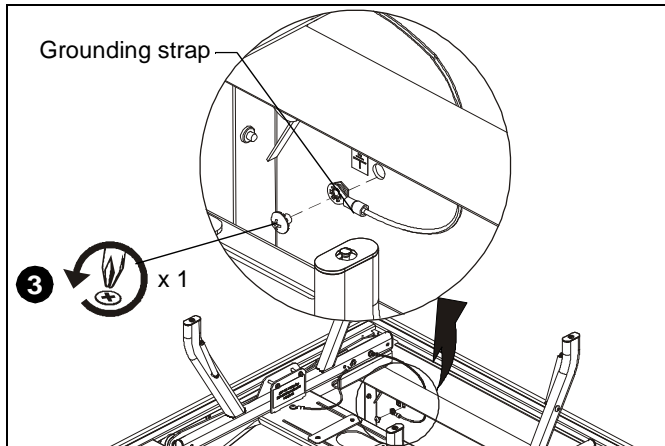


Figure 1

4. Loosen the screws in the linkage on each side of projector cradle at rear of SL220. (See Figure 2)

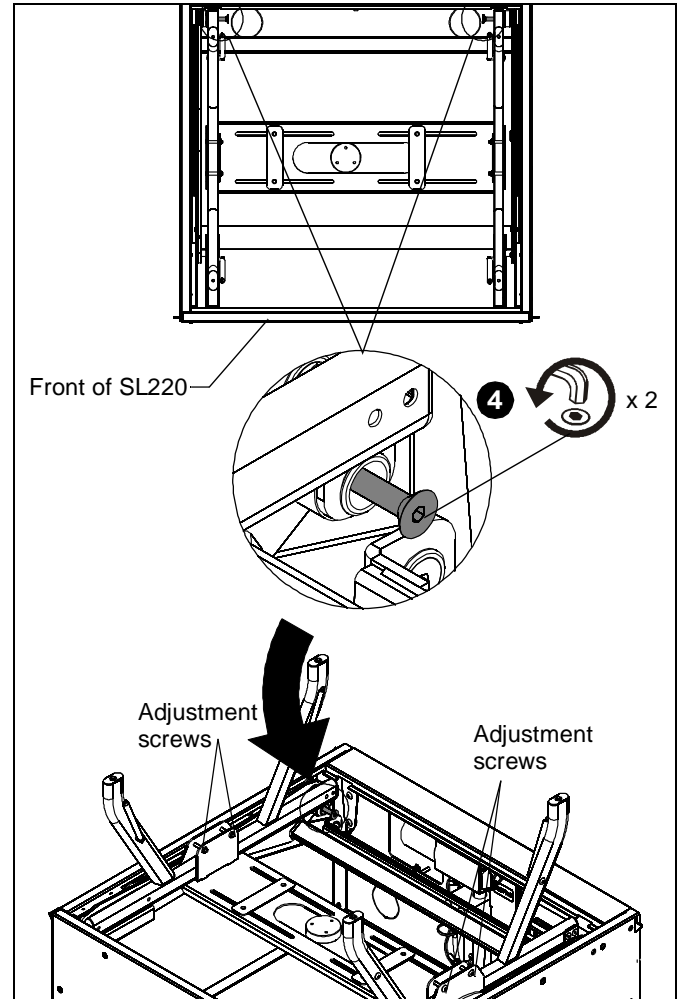


Figure 2

5. Gently pull projector cradle away from sides at rear of SL220. (See Figure 3)
6. The forward/aft adjustment screws may need to be loosened for this. If so, loosen the screws, but do NOT remove the screws. (See Figure 2)

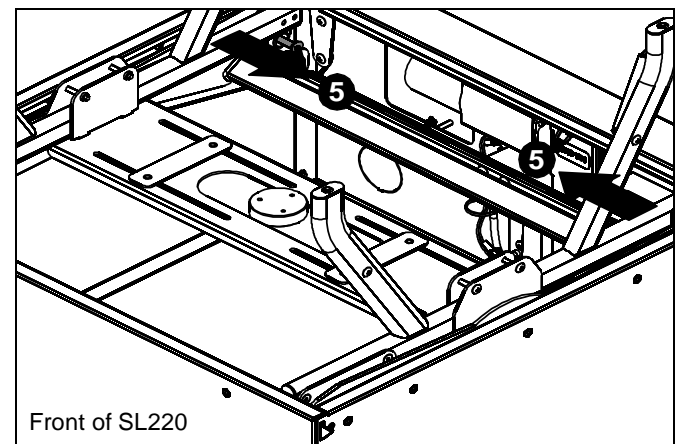


Figure 3

7. While still pulling the projector cradle away from the sides of the SL220, slide front channels towards back, off of bearings and remove projector cradle from SL220. (See Figure 4)

IMPORTANT ! : Save projector cradle for re-use.

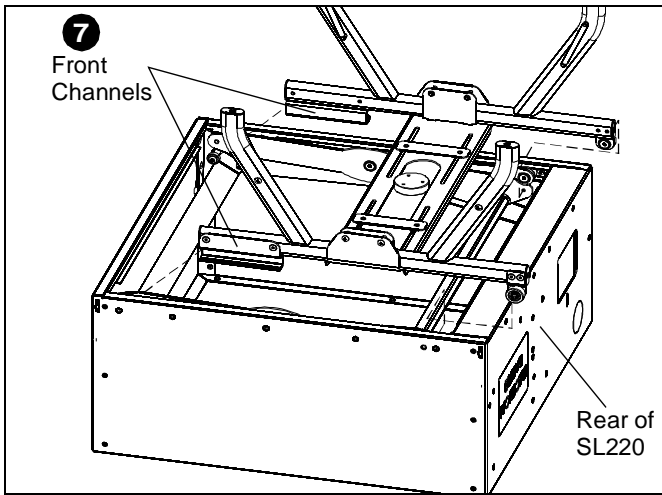


Figure 4

8. Remove four Phillips head screws holding the SL220 to the frame, two from the front and two from the back of the SL220. (See Figure 5) and (See Figure 6)
9. Remove one Phillips head screw holding the outlet box attachment plate to the SL220. (See Figure 5)

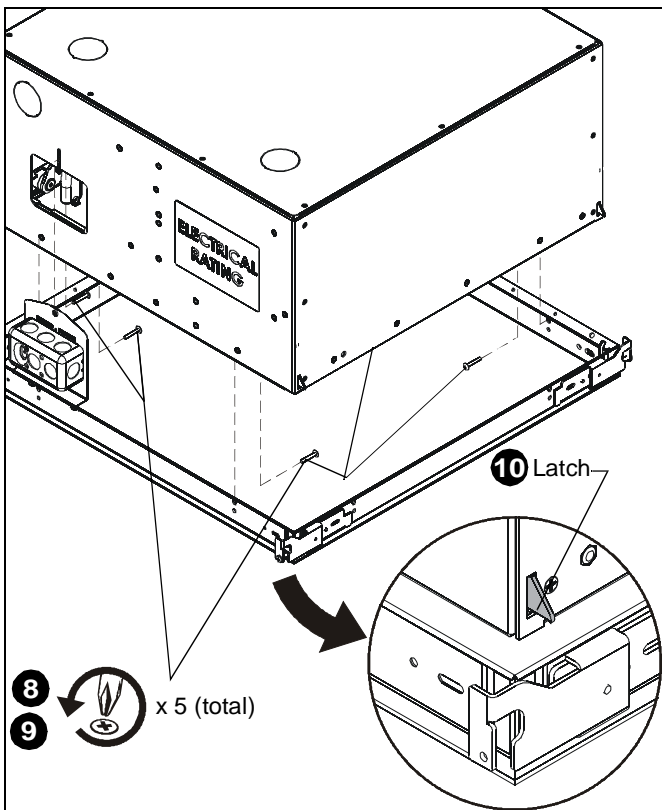


Figure 5

10. Hold the SL220 with one hand to remove weight from the four corner latches.

- Using opening on latch, pull latch away from corner and either push slightly away or pull slightly towards self to lock latch within SL220 lift. (See Figure 6)
- Repeat for each corner latch so that all four latches are retracted.

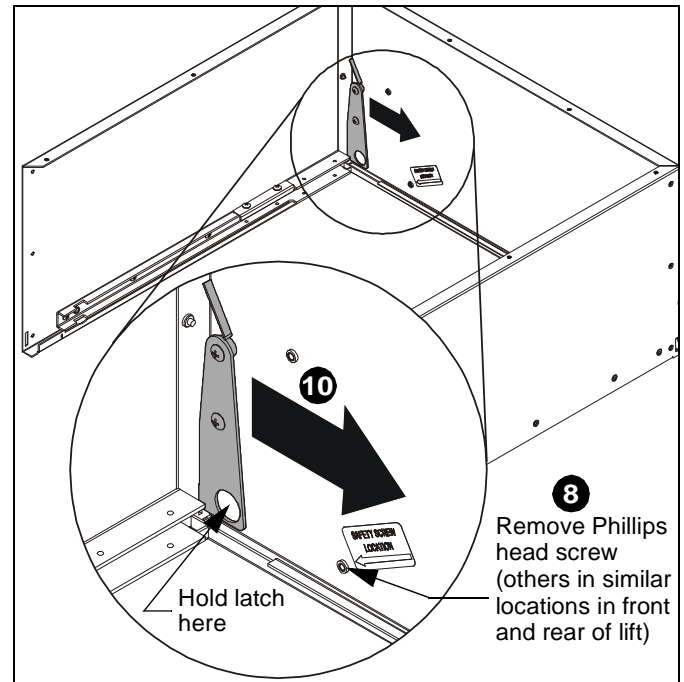


Figure 6

11. Lower lift out of SL220 frame.

NOTE: Return removed lift assembly to Chief Manufacturing.

INSTALLING NEW LIFT ASSEMBLY

1. Check that four corner latches on lift assembly (A) are extended and ready to latch to SL220 frame.
2. Orient lift assembly so that the rear of the SL220 (with the electrical opening) lines up with the outlet box attachment plate on the SL220 frame. (See Figure 7)
3. Lift SL220 lift assembly (A) into place through the SL220 frame. (See Figure 7) Ensure that there are four audible clicks---each corner hook "clicking" into place onto the frame. (See Figure 8)

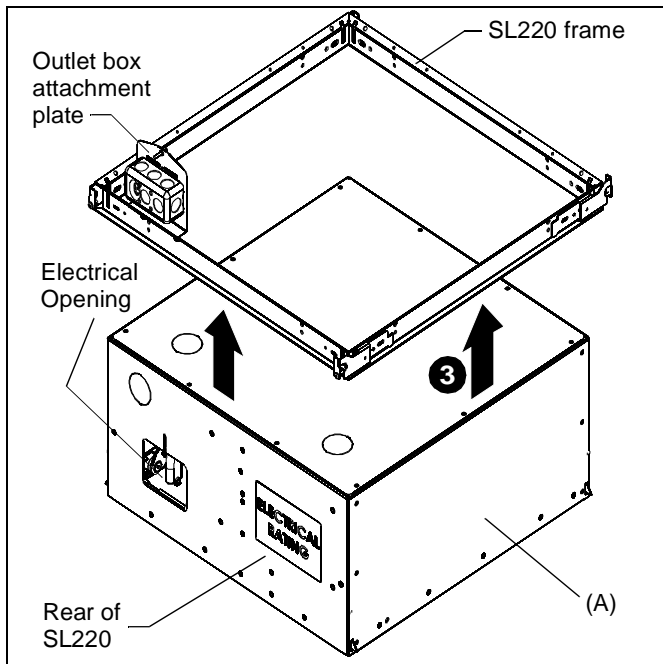


Figure 7

4. Lower onto SL220 frame, carefully lining up outlet box attached to SL220 frame, with opening at rear of SL220. (See Figure 8)
5. Secure the SL220 to the SL220 frame using four 8-32 x 1" Phillips head screws (D), two in the front and two in the back of the SL220. (See Figure 8)
6. Secure the outlet box attachment plate to the SL220 using one 8-32 x 1" Phillips head screw (D). (See Figure 8)

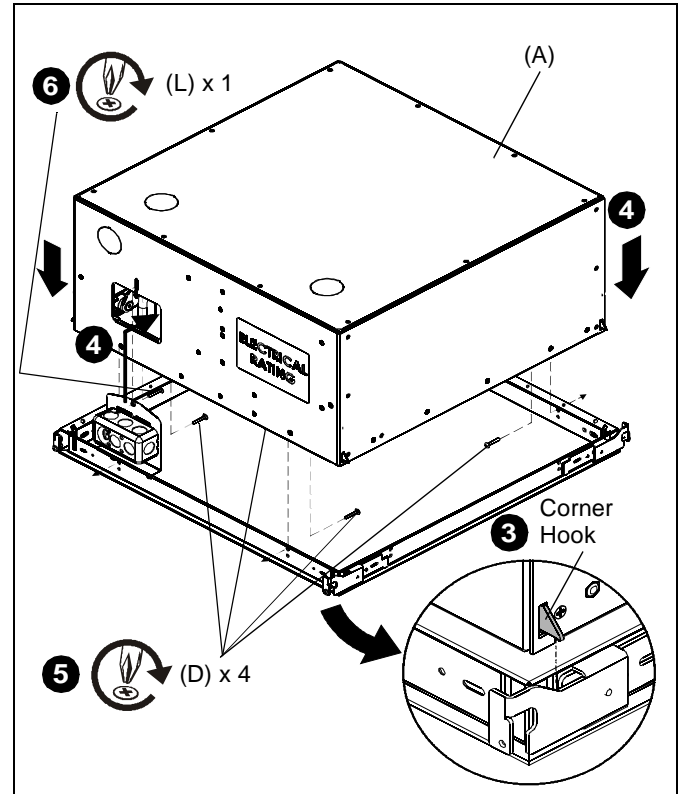


Figure 8

7. Slide front channels of previously removed projector cradle forward onto the SL220 bearings. (See Figure 9)

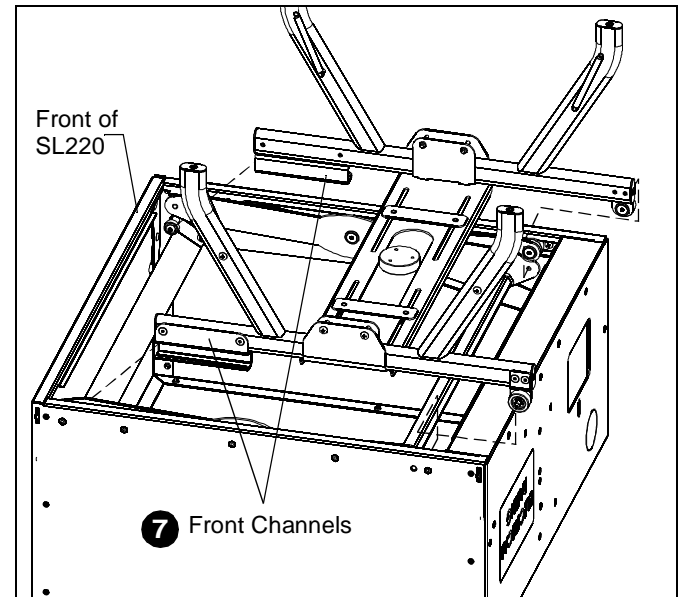


Figure 9

8. Line up rear spacers with attachment holes on SL220 arms.
(See Figure 10)
9. Tighten rear spacers.

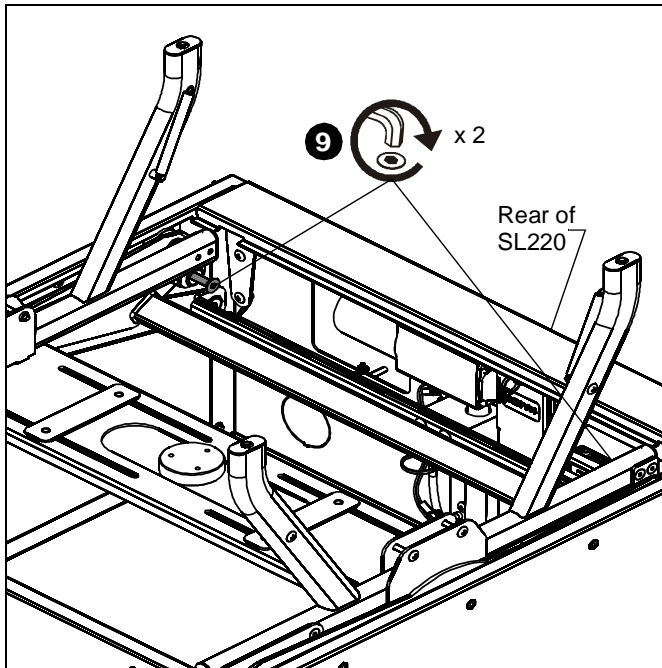


Figure 10

10. Reconnect grounding strap from inside front of SL220 to projector cradle, using the Phillips head screw previously removed. (See Figure 11)

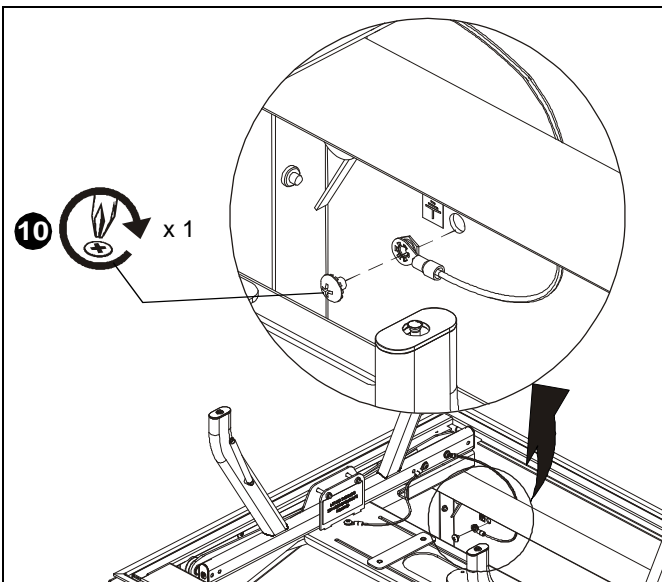


Figure 11

11. Plug in SL220 and verify proper operation.
12. Re-install projector and cabling, using cable tie mounts (C) and cable ties (B), as required.
13. Test and adjust projector, as required.



Our Mounts. **Your Vision.**

Chief Manufacturing, a products division
of Milestone AV Technologies

8820-002029 Rev00
©2012 Milestone AV Technologies, a
Duchossois Group Company
www.chiefmfg.com
08/12

USA/International	A 6436 City West Parkway, Eden Prairie, MN 55344
	P 800.582.6480 / 952.225.6000
	F 877.894.6918 / 952.894.6918
Europe	A Franklinstraat 14, 6003 DK Weert, Netherlands
	P +31 (0) 495 580 852
	F +31 (0) 495 580 845
Asia Pacific	A Office No. 1 on 12/F, Shatin Galleria 18-24 Shan Mei Street Fotan, Shatin, Hong Kong
	P 852 2145 4099
	F 852 2145 4477

