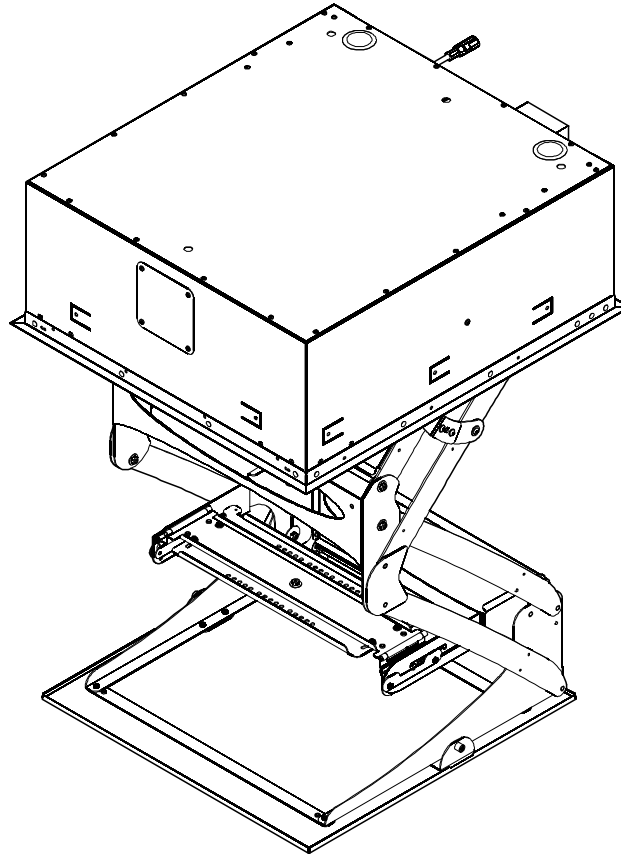

INSTALLATION INSTRUCTIONS



SL236 Cable and Clip Replacement Kit

DISCLAIMER

Milestone AV Technologies and its affiliated corporations and subsidiaries (collectively "Milestone"), intend to make this manual accurate and complete. However, Milestone makes no claim that the information contained herein covers all details, conditions or variations, nor does it provide for every possible contingency in connection with the installation or use of this product. The information contained in this document is subject to change without notice or obligation of any kind. Milestone makes no representation of warranty, expressed or implied, regarding the information contained herein. Milestone assumes no responsibility for accuracy, completeness or sufficiency of the information contained in this document.

Chief® is a registered trademark of Milestone AV Technologies. All rights reserved.

! IMPORTANT SAFETY INSTRUCTIONS

! WARNING: A WARNING alerts you to the possibility of serious injury or death if you do not follow the instructions.

! CAUTION: A CAUTION alerts you to the possibility of damage or destruction of equipment if you do not follow the corresponding instructions.

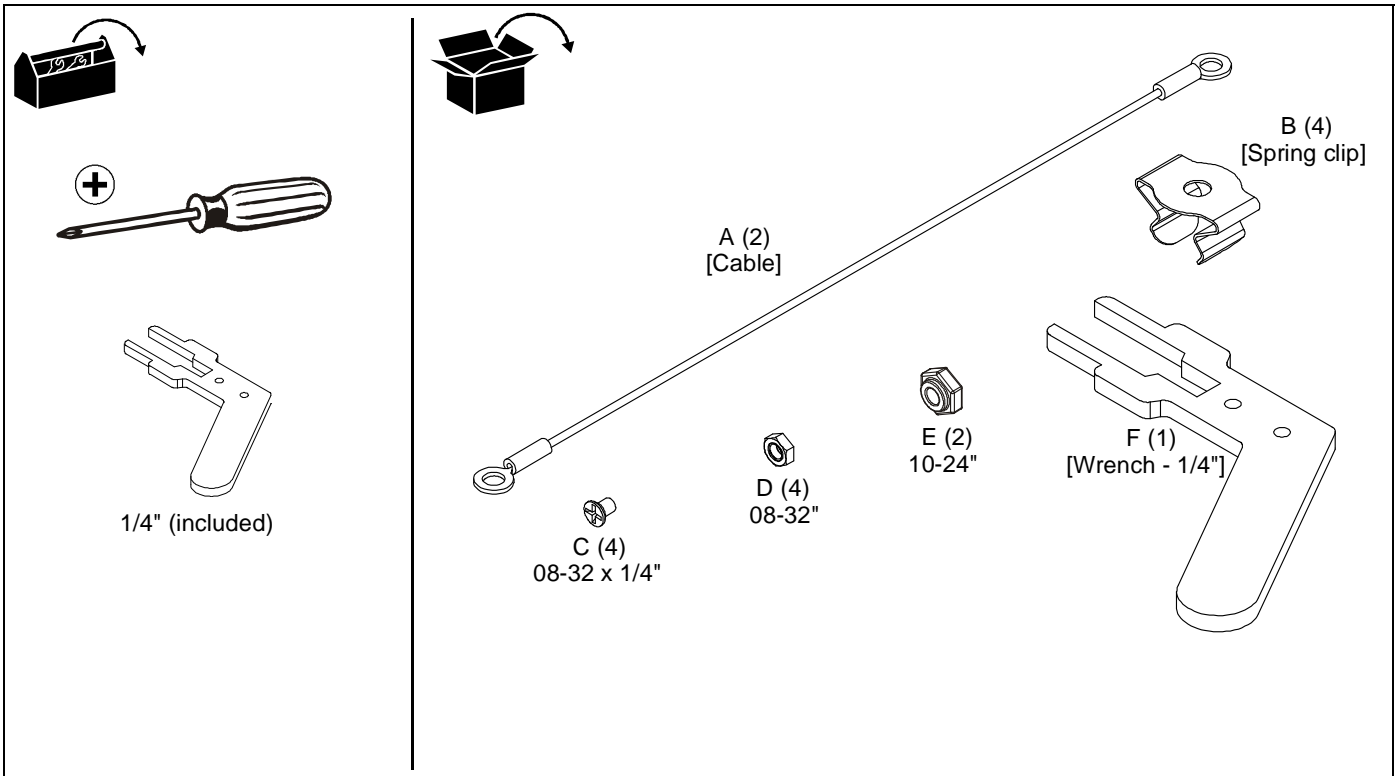
! WARNING: Failure to read, thoroughly understand, and follow all instructions can result in serious personal injury, damage to equipment, or voiding of factory warranty! It is the installer's responsibility to make sure all components are properly assembled and installed using the instructions provided.

! WARNING: Never operate this mounting system if it is damaged. Return the mounting system to a service center for examination and repair.

! WARNING: Do not use this product outdoors.

--SAVE THESE INSTRUCTIONS--

TOOLS / PARTS FOR INSTALLATION



CABLE/CLIP REPLACEMENT

NOTE: This kit contains parts for replacement of two cables and four spring clips in the SL236.

1. Remove ceiling panel from SL236 frame and remove existing spring clips and cables, discarding all used parts.

NOTE: Use the 1/4" wrench (F) to loosen the nuts inside the spring clips.

2. In one corner, install one 08-32 x 1/4" Phillips undercut machine screw (C), one spring clip (B) and one 08-32" nut (using wrench [F]). (See Figure 2)

NOTE: Ensure that spring clip is aligned parallel to the sides of the SL236 ceiling panel. (See Figure 1)

3. Repeat in opposite corner of ceiling panel. (See Figure 2)
4. In corner without installed clips, install one 08-32 x 1/4" Phillips undercut machine screw (C), one spring clip (B), one end of cable (A), and one 08-32" nut (using wrench [F]). (See Figure 2)
5. Repeat in opposite corner of ceiling panel. (See Figure 2)
6. Raise ceiling panel up to SL236 frame and insert spring clips into rectangular holes on SL236 frame. (See Figure 2)
7. In corner with cable, install cable onto SL236 frame and fasten with 10-24 nut (E). (See Figure 2)
8. Repeat in opposite corner of ceiling panel. (See Figure 2)
9. Continue installation following the SL236 installation instructions.

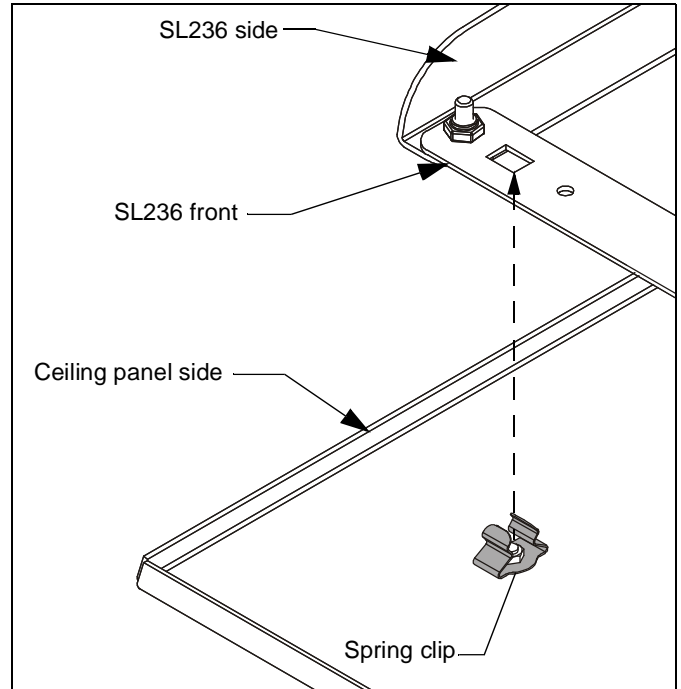


Figure 1

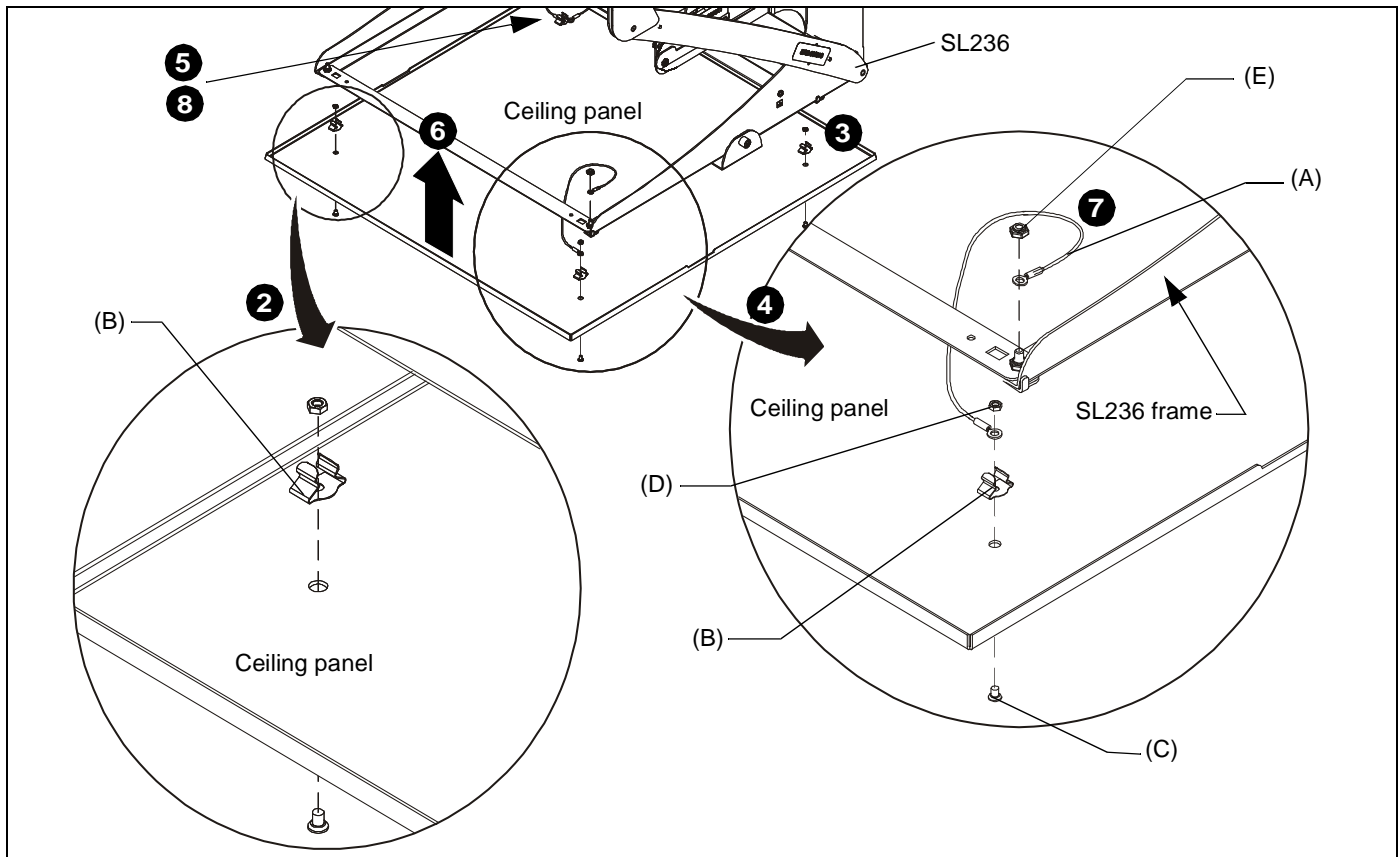


Figure 2



Our Mounts. **Your Vision.**

Chief Manufacturing, a products division
of Milestone AV Technologies

8800-002158 Rev00
©2012 Milestone AV Technologies, a
Duchossois Group Company
www.chiefmfg.com
03/12

USA/International	A 6436 City West Parkway, Eden Prairie, MN 55344 P 800.582.6480 / 952.225.6000 F 877.894.6918 / 952.894.6918
Europe	A Franklinstraat 14, 6003 DK Weert, Netherlands P +31 (0) 495 580 852 F +31 (0) 495 580 845
Asia Pacific	A Office No. 1 on 12/F, Shatin Galleria 18-24 Shan Mei Street Fotan, Shatin, Hong Kong P 852 2145 4099 F 852 2145 4477

