

INSTALLATION INSTRUCTIONS

SL-236 Adjustment Links

Prior to assembly, unpack carton completely and verify contents.

If you are missing any of the following components, please contact Customer Service at 1-800/582-6480

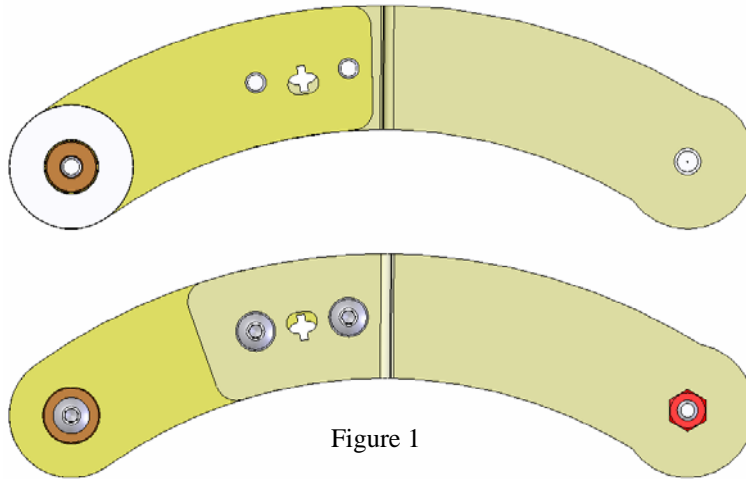


Figure 1

- (1) Arm, left, adjustable
- (2) Screw, button head, cap 1/4-20 X 3/8"
- (2) Nut 1/4-20 center lock

- (1) Arm, right, adjustable
- (2) Washer, internal tooth, #10
- (4) Washer, thrust

BEFORE PROCEEDING, READ INSTALLATION INSTRUCTIONS COMPLETELY

Caution: IMPROPER INSTALLATION MAY RESULT IN EQUIPMENT DAMAGE! This is a precision piece of equipment. Do not allow the unit to bind or continue to run after closing. Do not over adjust, putting excessive strain on lift arms.

1. Lower shelf of SL-236 and support shelf at service position.
2. Remove 1/4-20 center lock nut, 1/4-20 X 3/8" hex head screw and fiber washer from one side of SL-236 as shown in Figure 2.
3. Remove link as shown in Figure 2.
4. Install a new arm adjustment link as shown in Figure 3 and secure using 1/4-20 center lock nut, 1/4-20 X 3/8" hex head screw and fiber washer.
5. Repeat Step 2 through 4 for opposite side.

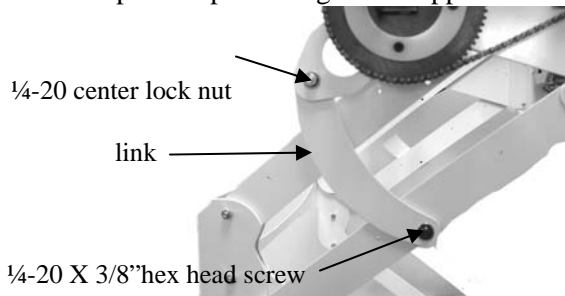


Figure 2



Figure 3

Caution: IMPROPER INSTALLATION MAY RESULT IN EQUIPMENT DAMAGE! This is a precision piece of equipment. Do not allow the unit to bind or continue to run after closing. Do not over adjust, putting excessive strain on lift arms.

6. Adjust shelf as follows:
 - a. Making sure not to raise shelf too far (press button to stop unit if necessary), close unit.
 - b. If unit requires adjustment, lower shelf of SL-236 and support shelf at service position
 - c. Slightly loosen two ¼-20 X 3/8" hex head screws (See Figure 4).

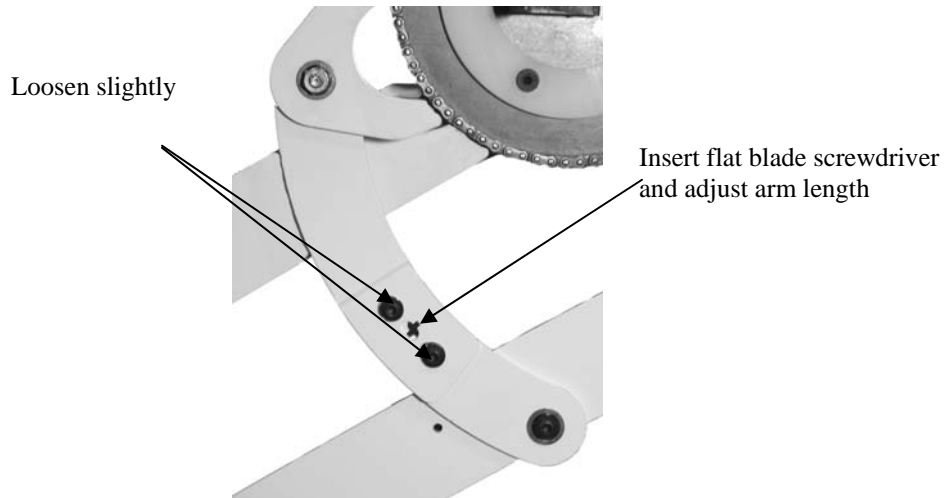


Figure 4

- d. Using flat blade screwdriver in slots provided, shorten arm to raise unit further or lengthen arm to stop shelf at a lower position.

Caution: IMPROPER INSTALLATION MAY RESULT IN EQUIPMENT DAMAGE! This is a precision piece of equipment. Do not allow the unit to bind or continue to run after closing. Do not over adjust, putting excessive strain on lift arms.

- e. Close the unit using a "stop and go" method, paying close attention to the hooks as they catch the rollers on each side of the unit. If the hooks are not going to properly catch the rollers, lower the shelf and readjust the arm length.