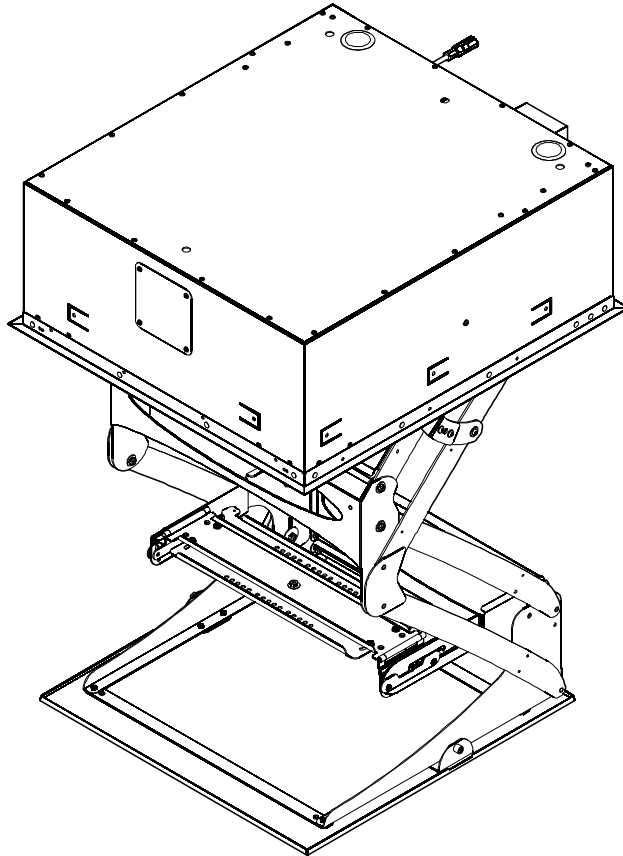


---

# SERVICE MANUAL

---



---

## Lifting Link Replacement

---

**DISCLAIMER**

Milestone AV Technologies and its affiliated corporations and subsidiaries (collectively "Milestone"), intend to make this manual accurate and complete. However, Milestone makes no claim that the information contained herein covers all details, conditions or variations, nor does it provide for every possible contingency in connection with the installation or use of this product. The information contained in this document is subject to change without notice or obligation of any kind. Milestone makes no representation of warranty, expressed or implied, regarding the information contained herein. Milestone assumes no responsibility for accuracy, completeness or sufficiency of the information contained in this document.

Chief® is a registered trademark of Milestone AV Technologies. All rights reserved.

**! IMPORTANT SAFETY INSTRUCTIONS**

**! WARNING:** A WARNING alerts you to the possibility of serious injury or death if you do not follow the instructions.

**! CAUTION:** A CAUTION alerts you to the possibility of damage or destruction of equipment if you do not follow the corresponding instructions.

**! WARNING:** Failure to read, thoroughly understand, and follow all instructions can result in serious personal injury, damage to equipment, or voiding of factory warranty! It is the installer's responsibility to make sure all components are properly assembled and installed using the instructions provided.

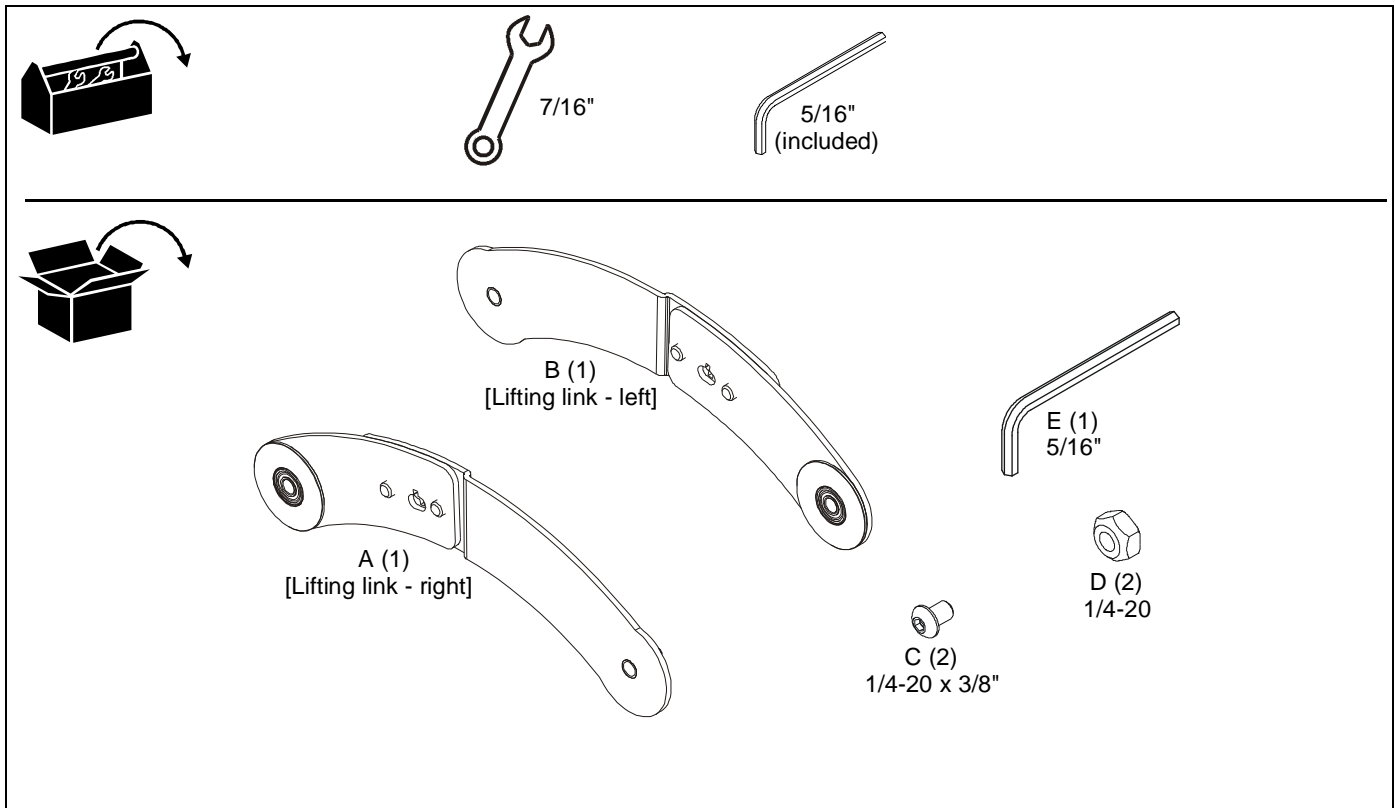
**! WARNING:** Use this mounting system only for its intended use as described in these instructions. Do not use attachments not recommended by the manufacturer.

**! WARNING:** Never operate this mounting system if it is damaged. Return the mounting system to a service center for examination and repair.

**! WARNING:** Do not use this product outdoors.

**--SAVE THESE INSTRUCTIONS--**

**TOOLS REQUIRED FOR INSTALLATION / PARTS**



### REMOVING LIFTING LINKS

1. Lower lift.
2. Attach 18ga wire tie or something of equivalent strength to the joist mounting tabs on the SL236.
3. Connect these wires to the front of hinge assembly. (See Figure 1)

**IMPORTANT !** : Wires should be connected in minimum of two places to prevent the hinge assembly from dropping.

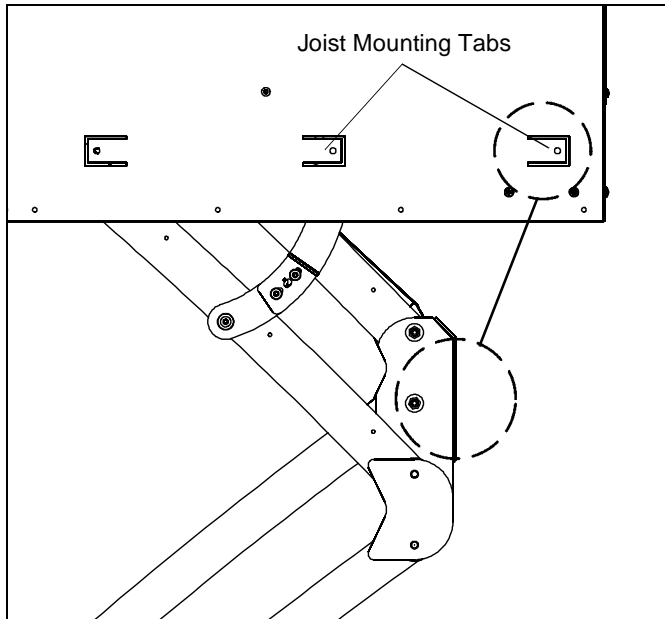


Figure 1

4. Remove one allen head bolt from bottom of lifting link, and one locknut from top of lifting link. (See Figure 2)

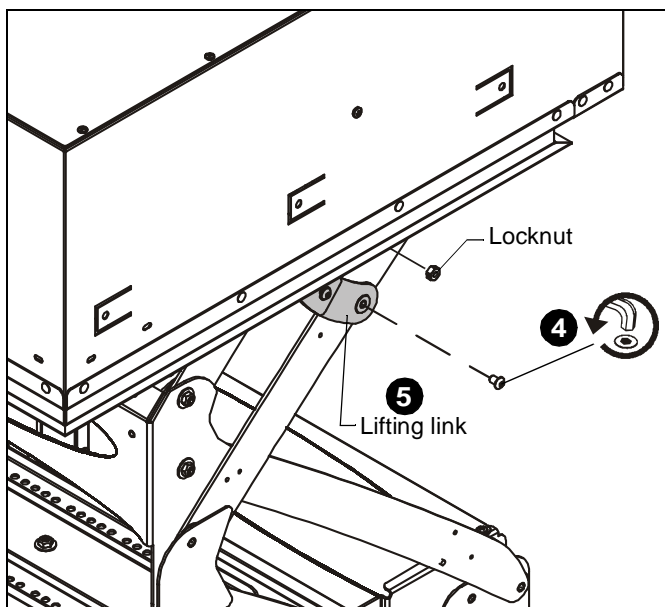


Figure 2

**NOTE:** As soon as the bolt is removed, that side of lift will shift, placing weight of mechanism on wire ties installed in Steps 2 and 3.

5. Remove lifting link. (See Figure 2)
6. Repeat for other side of lift.

### REPLACING LIFTING LINKS

1. Insert appropriate lifting link--right (A) or left (B).
2. Fasten lifting link in place using one 1/4-20 x 3/8" button head cap screw (C) in bottom of lifting link, and one 1/4-20 locknut (D) in top of lifting link. (See Figure 3)

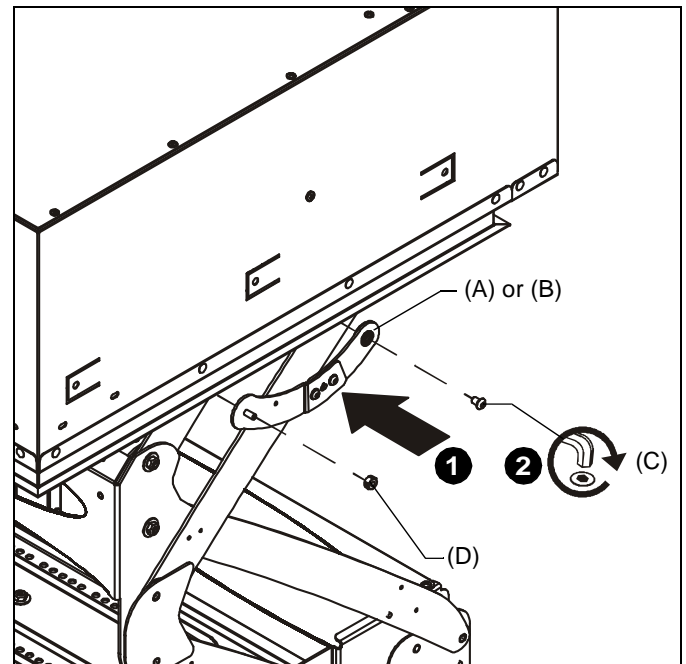


Figure 3

3. Repeat for other side of lift.
4. Remove wire ties installed at beginning of process.



Our Mounts. **Your Vision.**

Chief Manufacturing, a products division  
of Milestone AV Technologies

8800-002222 Rev00  
©2012 Milestone AV Technologies, a  
Duchossois Group Company  
[www.chiefmfg.com](http://www.chiefmfg.com)  
09/12

<b>USA/International</b>	<b>A</b> 6436 City West Parkway, Eden Prairie, MN 55344 <b>P</b> 800.582.6480 / 952.225.6000 <b>F</b> 877.894.6918 / 952.894.6918
<b>Europe</b>	<b>A</b> Franklinstraat 14, 6003 DK Weert, Netherlands <b>P</b> +31 (0) 495 580 852 <b>F</b> +31 (0) 495 580 845
<b>Asia Pacific</b>	<b>A</b> Office No. 1 on 12/F, Shatin Galleria 18-24 Shan Mei Street Fotan, Shatin, Hong Kong <b>P</b> 852 2145 4099 <b>F</b> 852 2145 4477

