



## INSTALLATION INSTRUCTIONS SLB-003 HANGER BRACKET

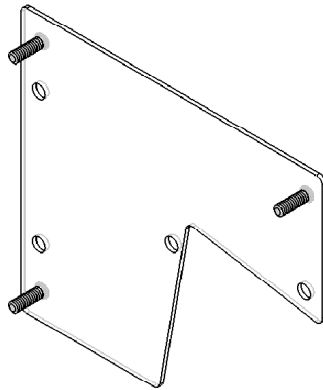
for Proxima DX3, ASK M5

Prior to assembly, unpack carton and verify contents.

For security installation, use security hardware package inside the ALL-POINTS™ Security Kit. Follow the instructions below for attaching the bracket to the projector using either standard hardware or security hardware.

If you are missing any of the following components, please contact Customer Service at 1-800-582-6480

- |     |                    |     |                    |
|-----|--------------------|-----|--------------------|
| (1) | SLB-003 Bracket    | (1) | ¼ - 20 x ½” Screws |
| (3) | 10 - 24 Thumb Nuts | (1) | ¼” Flatwashers     |
| (3) | Rubber Spacers     | (1) | Allen Wrench       |



### INSTALLATION INSTRUCTIONS

1. Turn projector upside down.
2. Locate the three rubber spacers in the fastener bag, turn the SLB-003 bracket so the three threaded studs are pointing down towards the ground and push the three rubber spacers through the outer three holes leaving the center hole empty.
3. Place SLB-003 bracket onto the bottom of the projector so the three threaded studs are pointing upwards, Lining up the center mounting hole in the bracket with the threaded inserts in the projector and turn the bracket until the cut out for the lamp door lines up with the lamp door on the projector. (Make sure the three rubber spacers are still placed in the three holes in the SLB-003 bracket and are between the projector and the SLB-003 bracket.)
4. Using the ¼ - 20 x ½” screw and ¼” flatwasher start it into the thread insert and secure to projector. **CAUTION: When attaching the mount be careful not to overtighten the mounting screw.**
5. See RPA and/or Smart-Lift™ Instructions.