



INSTALLATION INSTRUCTIONS SLB-014 HANGER BRACKET

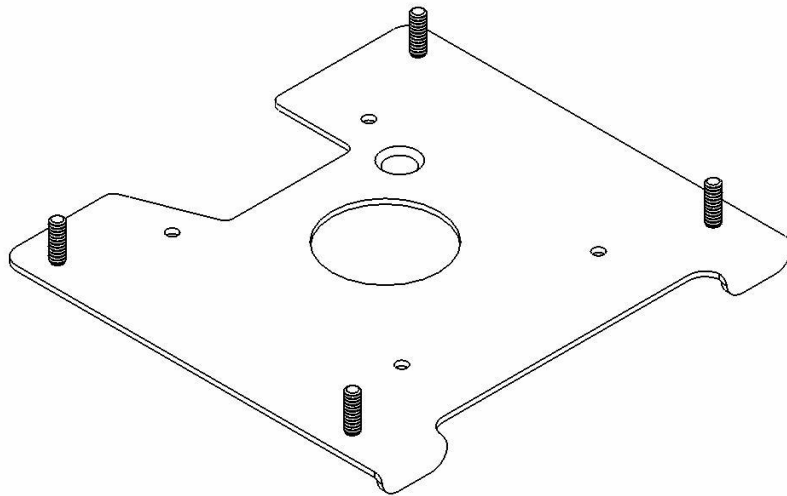
for Gateway 205, 210,

Prior to assembly, unpack carton and verify contents.

For security installation, use security hardware package inside the ALL-POINTS™ Security Kit. Follow the instructions below for attaching the bracket to the projector using either standard hardware or security hardware.

If you are missing any of the following components, please contact Customer Service at 1-800-582-6480

- | | | | |
|-----|-----------------------------|-----|----------------------------------|
| (1) | SLB-014 Bracket | (4) | 10 - 24 Thumb Nuts |
| (1) | 1/4" X 1/2" Flat Head Screw | (1) | 1/2" x .260 x 3/16" Nylon Spacer |



INSTALLATION INSTRUCTIONS

1. Turn projector upside down.
2. Place the 3/16" nylon spacers over the three threaded insert in the bottom of the projector.
3. Place the SLB-014 bracket onto the bottom of the projector so the four screws are pointed away from projector with the two tabs behind the rear feet on the projector.
4. At this time the mounting hole in the bracket should be lined up with the nylon spacer and the threaded mounting hole in the projector.
5. Using the 1/4" x 1/2" flat screw, start the screw into the threaded inserts and tighten fastener at this time, securing the bracket to the projector. **CAUTION: When attaching the mount be careful not to overtighten screw.**
6. See RPA and/or Smart-Lift™ Instructions.