



## INSTALLATION INSTRUCTIONS SLB-016 HANGER BRACKET

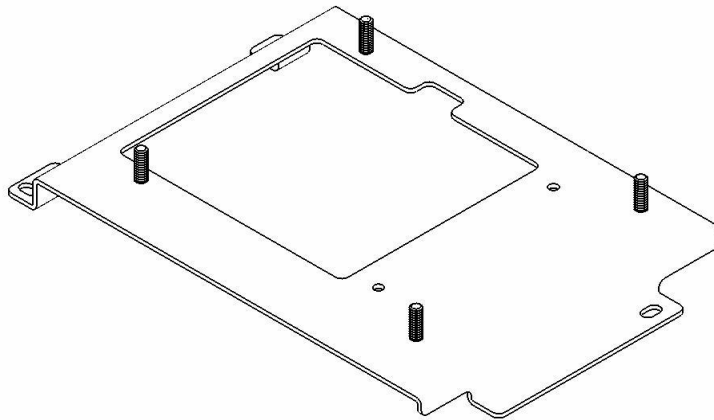
for Toshiba TDP-D1, TDP-D2,

Prior to assembly, unpack carton and verify contents.

For security installation, use security hardware package inside the ALL-POINTS™ Security Kit. Follow the instructions below for attaching the bracket to the projector using either standard hardware or security hardware.

If you are missing any of the following components, please contact Customer Service at 1-800-582-6480

- |     |                    |     |                          |
|-----|--------------------|-----|--------------------------|
| (1) | SLB-016 Bracket    | (3) | M4 Flatwashers           |
| (4) | 10 - 24 Thumb Nuts | (3) | M4 x 8mm Pan Head Screws |



### INSTALLATION INSTRUCTIONS

1. Turn projector upside down on a flat surface.
2. With the lens facing you un-screw the right rear foot from the projector and screw it into the M4 hole behind the lamp door for storage.
3. Place the SLB-016 bracket onto the bottom of the projector lining up the three threaded inserts in the bottom of the projector with the three mounting holes in the bracket.
4. Using the three M4 - 8mm mounting screws and washers, start them into the mounting holes by hand and secure all three fasteners at this time. **CAUTION: When attaching the mount be careful not to over tighten mounting screws.**
5. See RPA and/or Smart-Lift™ Instructions.