



## INSTALLATION INSTRUCTIONS

### SLB-018 HANGER BRACKET

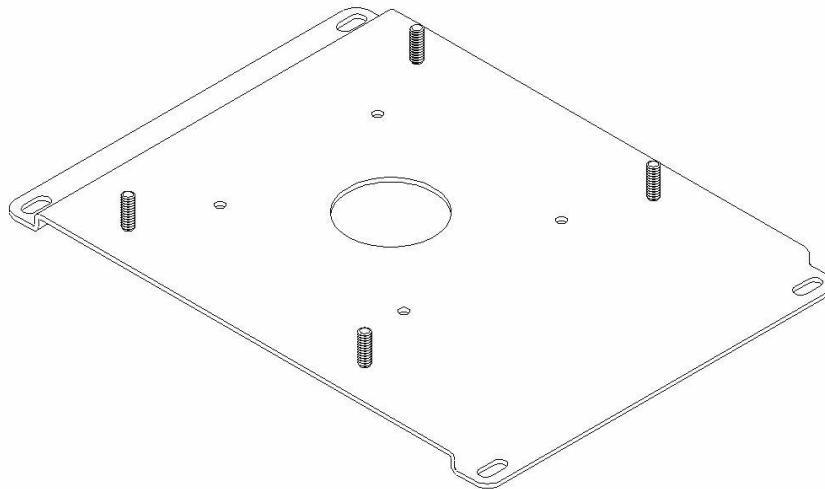
for DWIN TRANSVISION TV2, TV3,

Prior to assembly, unpack carton and verify contents.

For security installation, use security hardware package inside the ALL-POINTS™ Security Kit. Follow the instructions below for attaching the bracket to the projector using either standard hardware or security hardware.

If you are missing any of the following components, please contact Customer Service at 1-800-582-6480

- |     |                    |     |                                |
|-----|--------------------|-----|--------------------------------|
| (1) | SLB-018 Bracket    | (4) | #10 Flatwashers                |
| (4) | 10 - 24 Thumb Nuts | (4) | 10 – 32 x 1/2” Pan Head Screws |



## INSTALLATION INSTRUCTIONS

1. Turn projector upside down on a flat surface.
2. Place the SLB-018 bracket onto the bottom of the projector so the large hole is closer to the front of the projector, then lining up the four slotted holes in the bracket with the four threaded inserts in the bottom of the projector.
3. Using the four 10 – 32 x 1/2” mounting screws and washers, start them into the mounting holes by hand and secure all four fasteners at this time. **CAUTION: When attaching the mount be careful not to over tighten mounting screws.**
4. See RPA and/or Smart-Lift™ Instructions.