



INSTALLATION INSTRUCTIONS SLB-019 HANGER BRACKET

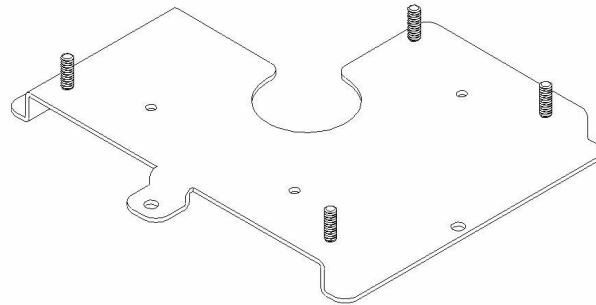
for Plus U4-111, U4-112, U4-131, U4-136,
Mitsubishi LVP-XD50U,

Prior to assembly, unpack carton and verify contents.

For security installation, use security hardware package inside the ALL-POINTS™ Security Kit. Follow the instructions below for attaching the bracket to the projector using either standard hardware or security hardware.

If you are missing any of the following components, please contact Customer Service at 1-800-582-6480

- | | | | |
|-----|--------------------|-----|--------------------------|
| (1) | SLB-019 Bracket | (3) | M4 Flatwashers |
| (4) | 10 - 24 Thumb Nuts | (3) | M4 x 8mm Pan Head Screws |



INSTALLATION INSTRUCTIONS

1. Turn projector upside down on a flat surface.
2. Lift up the rear projector foot to expose the threaded insert.
3. Place the SLB-019 bracket onto the bottom of the projector lining up three threaded inserts in the bottom of the projector with the three holes in the SLB bracket.
4. Using the three M4 X 8mm mounting screws and washers, start them into the mounting holes by hand and secure all three fasteners at this time. **CAUTION: When attaching the mount be careful not to over tighten mounting screws.**
5. See RPA and/or Smart-Lift™ Instructions.