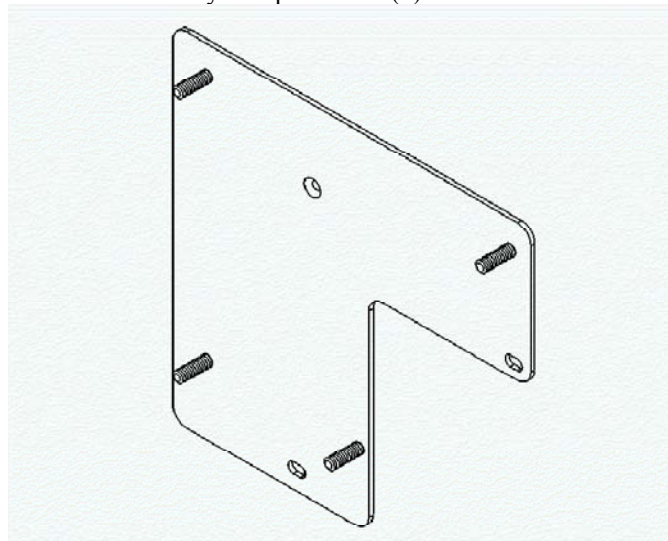




## INSTALLATION INSTRUCTIONS SLB-022 HANGER BRACKET for SHARP PG-C20XU,

Prior to assembly, unpack carton and verify contents.  
For security installation, use security hardware package inside the ALL-POINTS™ Security Kit. Follow the instructions below for attaching the bracket to the projector using either standard hardware or security hardware.  
If you are missing any of the following components, please contact Customer Service at 1-800-582-6480

- |     |  |     |                            |
|-----|--|-----|----------------------------|
| (1) | SLB-022 Bracket                        | (2) | M3 - 16mm Panhead Screws   |
| (4) | 10 - 24 Thumb Nuts                     | (1) | M3 - 16mm Flat Head Screws |
| (3) | 1/2" x .218 x 1/4" Round Nylon Spacers | (2) | M3 Flatwashers             |



### INSTALLATION INSTRUCTIONS

1. Turn projector upside down.
2. Place the three 1/2" nylon spacers over the threaded inserts on the bottom of the projector.
3. Place the SLB-022 bracket onto the three 1/2" spacers so the spacers are between the projector and the bracket well lining up the three holes in the bracket with the three holes in the 1/2" spacers.
4. Using the M3 X 16mm flat head screw place it through the countersunk hole in the bracket and start screwing it in to the projector using your fingers, then place the remaining two M3 X 16mm pan head screws in the two slotted holes and tighten all fasteners at this time, securing the bracket to the projector. **CAUTION: When attaching the mount be careful not to overtighten screws.**
5. See RPA and/or Smart-Lift™ Instructions.