



## INSTALLATION INSTRUCTIONS SLB-025 HANGER BRACKET FOR MITSUBISHI LVP-SL25, LVP-LX25, LVP-LX30

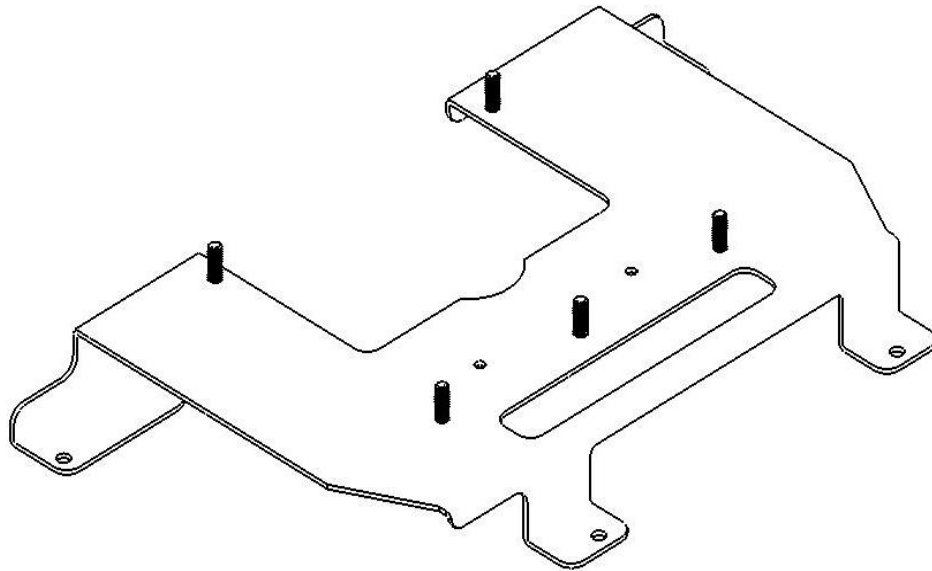
Prior to assembly, unpack carton and verify contents.

For security installation, use security hardware package inside the ALL-POINTS™ Security Kit.

If you are missing any of the following components, please contact Customer Service at 1-800-582-6480

- (1) SLB-025 Bracket
- (5) 10 - 24 Thumb Nuts

- (4) M4 Flat Washers
- (4) M4 x 8mm Pan Head Screws



Follow the instructions below for attaching the bracket to the projector using either standard hardware or security hardware.

### INSTALLATION INSTRUCTIONS

1. Turn projector upside down on a clean, flat surface.

**CAUTION:** When attaching the mount be careful not to over tighten mounting screws.

2. Place the SLB-025 bracket onto your projector, lining up the four mounting holes in the SLB-025 bracket with the four threaded inserts in the bottom of the projector
3. Secure the mount using four M4 x 8mm screws and M4 flat washers provided.
4. See RPA and/or Smart-Lift™ Instructions.