



INSTALLATION INSTRUCTIONS

SLB-036 HANGER BRACKET

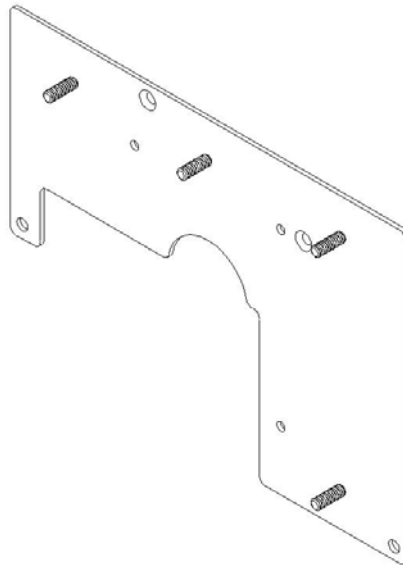
for Luxeon D6202A, SX700,

Prior to assembly, unpack carton and verify contents.

For security installation, use security hardware package inside the ALL-POINTS™ Security Kit. Follow the instructions below for attaching the bracket to the projector using either standard hardware or security hardware.

If you are missing any of the following components, please contact Customer Service at 1-800-582-6480

- | | | | |
|-----|--------------------|-----|-----------------------------------|
| (1) | SLB-036 Bracket | (2) | M4 -16mm Philips Pan Screws |
| (4) | 10 - 24 Thumb Nuts | (2) | M4 -16mm Philips Flat Head Screws |
| (2) | M4 Flatwasher | (4) | 1/2" x .219 x 1/4" Nylon Spacer |



INSTALLATION INSTRUCTIONS

1. Turn projector upside down.
2. Place the four 1/4" nylon spacers over the four threaded inserts in the bottom of the projector.
3. Place the SLB-036 bracket onto the four 1/4" nylon spacers on the bottom of the projector lining up the four mounting holes in the bracket with the four nylon spacers.
4. Using the four M4 x 16mm, two flat head and two-pan head screws start the two flat heads into the two countersink holes and using the pan heads with the M4 flat washers start them into the remaining two threaded inserts and tighten all four fasteners at this time, securing the bracket to the projector. **CAUTION: When attaching the mount be careful not to overtighten screws.**
5. See RPA and/or Smart-Lift™ Instructions.