



## INSTALLATION INSTRUCTIONS SLB-041 HANGER BRACKET

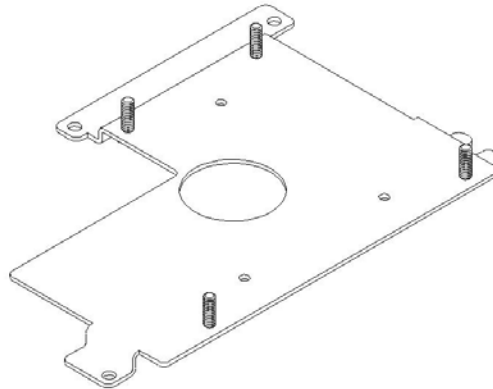
for Luxeon D412V,

Prior to assembly, unpack carton and verify contents.

For security installation, use security hardware package inside the ALL-POINTS™ Security Kit. Follow the instructions below for attaching the bracket to the projector using either standard hardware or security hardware.

If you are missing any of the following components, please contact Customer Service at 1-800-582-6480

- |     |                    |     |                          |
|-----|--------------------|-----|--------------------------|
| (1) | SLB-041 Bracket    | (3) | M4 Flatwashers           |
| (4) | 10 - 24 Thumb Nuts | (3) | M4 x 8mm Pan Head Screws |



### INSTALLATION INSTRUCTIONS

1. Turn projector upside down on a flat surface.
2. Loosen the right rear adjustable foot a few turns.
3. Place the SLB-041 bracket onto the bottom of the projector lining up the three mounting holes as well as sliding the slotted hole in the SLB-041 so it is under the adjustable foot with the three hole in the mount lining up with the three threaded inserts in the bottom of the projector.
4. Using the three M4 X 8mm mounting screws and washers, start them into the mounting holes by hand and secure all three fasteners and the adjustable foot down at this time.  
**CAUTION: When attaching the mount be careful not to over tighten mounting screws.**
5. See RPA and/or Smart-Lift™ Instructions.