



INSTALLATION INSTRUCTIONS

SLB-047 HANGER BRACKET

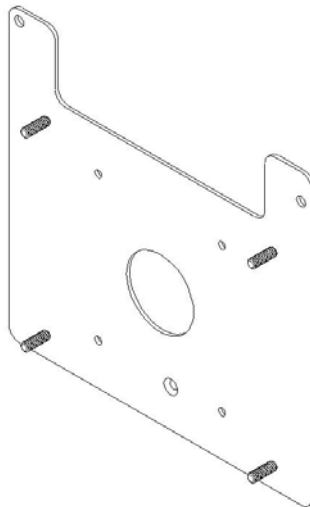
for Dukane ImagePro 8039B, ImagePro 8742,

Prior to assembly, unpack carton and verify contents.

For security installation, use security hardware package inside the ALL-POINTS™ Security Kit. Follow the instructions below for attaching the bracket to the projector using either standard hardware or security hardware.

If you are missing any of the following components, please contact Customer Service at 1-800-582-6480

- | | | | |
|-----|---------------------------------|-----|-----------------------------------|
| (1) | SLB-047 Bracket | (2) | M4 -20mm Philips Pan Screws |
| (4) | 10 - 24 Thumb Nuts | (1) | M4 -20mm Flat head Philips Screws |
| (3) | 1/2" x .194 x 3/8" Nylon Spacer | (2) | M4 Flatwasher |



INSTALLATION INSTRUCTIONS

1. Turn projector upside down.
2. Place the three 1/4" nylon spacers over the three threaded inserts in the bottom of the projector.
3. Place the SLB-047 bracket onto the three 3/8" nylon spacers on the bottom of the projector lining up the three mounting holes in the bracket with the three nylon spacers.
4. Using the three M4 x 20mm screws and washers, start them into the three threaded inserts and tighten all fasteners at this time, securing the bracket to the projector. **CAUTION: When attaching the mount be careful not to overtighten screws.**
5. See RPA and/or Smart-Lift™ Instructions.