



## INSTALLATION INSTRUCTIONS SLB-055 HANGER BRACKET

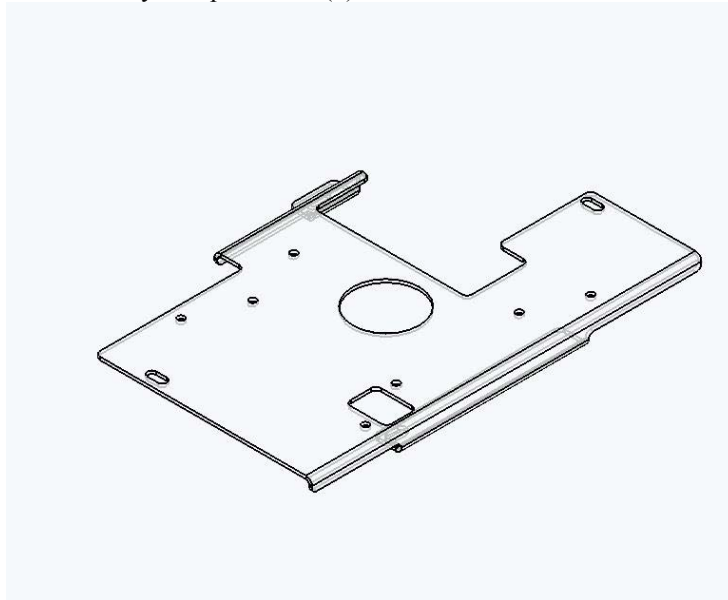
for Panasonic PT-LC55E, PT-LC55U, PT-LC75E, PT-LC75U,

Prior to assembly, unpack carton and verify contents.

For security installation, use security hardware package inside the ALL-POINTS™ Security Kit. Follow the instructions below for attaching the bracket to the projector using either standard hardware or security hardware.

If you are missing any of the following components, please contact Customer Service at 1-800-582-6480

- |     |                              |     |                  |
|-----|------------------------------|-----|------------------|
| (1) | SLB-055 Bracket              | (2) | M4 - 8mm Screws  |
| (4) | 10 - 24 Thumb Nuts           | (4) | M4 Flatwashers   |
| (2) | ½" x .194" x ½" Nylon Spacer | (2) | M4 - 20mm Screws |



### INSTALLATION INSTRUCTIONS

1. Turn projector upside down.
2. Place the SLB-055 bracket on to the bottom of the projector lining up the front and rear mounting holes in the SLB-055 bracket with the front and rear threaded inserts in the bottom of the projector and loosely start the two M4 -8mm mounting screws and M4 Flatwashers into these holes.
3. Place the two ½" tall spacers one on each the left and right side hole between the bracket and the threaded inserts in the projector. Now using the two M4 -20mm mounting screws and M4 Flatwashers, put the screw through the center of the ½" nylon spacer and secure all four mounting screws at this time. **CAUTION: When attaching the mount be careful not to overtighten screws.**
4. See RPA and/or Smart-Lift™ Instructions.