



## INSTALLATION INSTRUCTIONS

### SLB-056 HANGER BRACKET

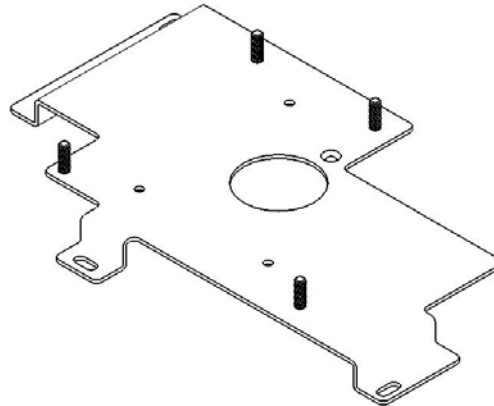
for Panasonic PT-LC56U, PT-LC76U,

Prior to assembly, unpack carton and verify contents.

For security installation, use security hardware package inside the ALL-POINTS™ Security Kit. Follow the instructions below for attaching the bracket to the projector using either standard hardware or security hardware.

If you are missing any of the following components, please contact Customer Service at 1-800-582-6480

- |     |                    |     |                                 |
|-----|--------------------|-----|---------------------------------|
| (1) | SLB-056 Bracket    | (3) | M4 -10mm Philips Pan Screws     |
| (4) | 10 - 24 Thumb Nuts | (1) | M4 -20mm Flat Head Screw        |
| (3) | M4 Flatwasher      | (1) | 1/2" x .194 x 3/8" Nylon Spacer |



## INSTALLATION INSTRUCTIONS

1. Turn projector upside down.
2. Place the 3/8" nylon spacers over the threaded insert on the raised surface near the center of the bottom of the projector.
3. Place the SLB-056 bracket onto the projector so the counter sink hole in the bracket lines up with the 3/8" nylon spacer on the bottom of the projector well also lining up the three slotted mounting holes in the bracket with the three remaining threaded inserts in the projector.
4. Using the three M4 x 10mm screws start them into the three threaded inserts by hand and then start the M4 x 20mm screw in to the counter sink hole and tighten all fasteners at this time, securing the bracket to the projector. **CAUTION: When attaching the mount be careful not to overtighten screws.**
5. See RPA and/or Smart-Lift™ Instructions.