



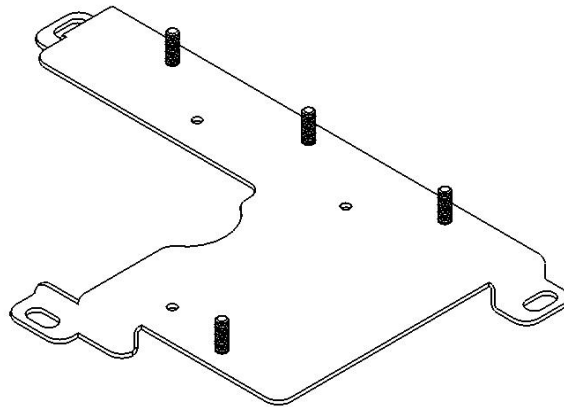
## INSTALLATION INSTRUCTIONS

### SLB-067 HANGER BRACKET

for CASIO XJ-450,

Prior to assembly, unpack carton and verify contents.  
For security installation, use security hardware package inside the ALL-POINTS™ Security Kit. Follow the instructions below for attaching the bracket to the projector using either standard hardware or security hardware.  
If you are missing any of the following components, please contact Customer Service at 1-800-582-6480

- |     |                    |     |                           |
|-----|--------------------|-----|---------------------------|
| (1) | SLB-067 Bracket    | (3) | M6 Flatwashers            |
| (4) | 10 - 24 Thumb Nuts | (3) | M6 x 10mm Pan Head Screws |



### INSTALLATION INSTRUCTIONS

1. Turn projector upside down on a flat surface.
2. Place the SLB-067 bracket onto the bottom of the projector lining up the three holes in the bracket with the three threaded inserts in the bottom of the projector.
3. Using the three M6 X 10mm mounting screws and washers, start them into the mounting holes by hand and secure all three fasteners at this time. **CAUTION: When attaching the mount be careful not to over tighten mounting screws.**
4. See RPA and/or Smart-Lift™ Instructions.