



## INSTALLATION INSTRUCTIONS SLB-069 HANGER BRACKET

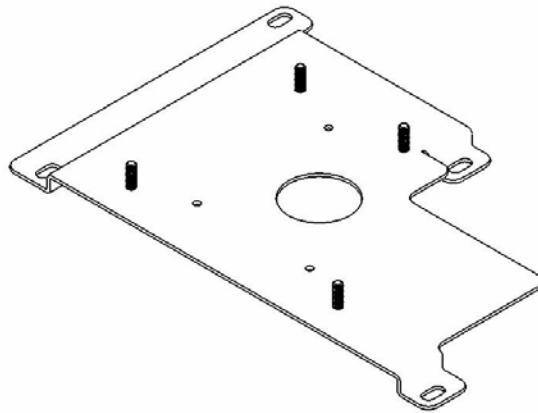
For Boxlight MP-60e, MP-63e,

Prior to assembly, unpack carton and verify contents.

For security installation, use security hardware package inside the ALL-POINTS™ Security Kit. Follow the instructions below for attaching the bracket to the projector using either standard hardware or security hardware.

If you are missing any of the following components, please contact Customer Service at 1-800-582-6480

- |     |                    |     |                           |
|-----|--------------------|-----|---------------------------|
| (1) | SLB-069 Bracket    | (4) | M6 Flatwashers            |
| (4) | 10 - 24 Thumb Nuts | (4) | M6 x 12mm Pan Head Screws |



### INSTALLATION INSTRUCTIONS

1. Turn projector upside down on a flat surface.
2. Place the SLB-069 bracket onto the bottom of the projector lining up four holes in the bracket with the four threaded inserts in the bottom of the projector.
3. Using the three M6 X 12mm mounting screws and washers, start them all into the mounting holes by hand and secure all fasteners at this time. **CAUTION: When attaching the mount be careful not to over tighten mounting screws.**
4. See RPA and/or Smart-Lift™ Instructions.