



## INSTALLATION INSTRUCTIONS SLB-071 HANGER BRACKET

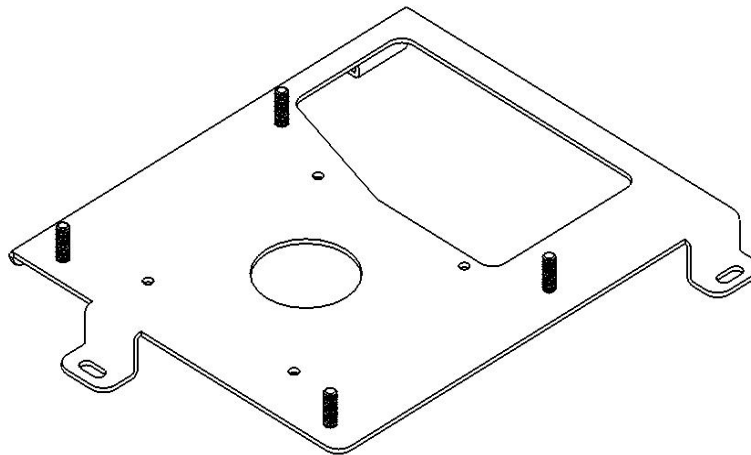
for EIKI EIP-10V,

Prior to assembly, unpack carton and verify contents.

For security installation, use security hardware package inside the ALL-POINTS™ Security Kit. Follow the instructions below for attaching the bracket to the projector using either standard hardware or security hardware.

If you are missing any of the following components, please contact Customer Service at 1-800-582-6480

- |     |                    |     |                  |
|-----|--------------------|-----|------------------|
| (1) | SLB-071 Bracket    | (3) | M4 - 16mm Screws |
| (4) | 10 - 24 Thumb Nuts | (3) | M4 Flatwashers   |



### Installation Instructions

1. Turn projector upside down.
2. Place the SLB-071 bracket on to the bottom of the projector lining up the three mounting holes in the SLB-071 bracket with the three threaded inserts in the bottom of the projector
3. Using the three M4 mounting screws and M4 flatwashers, start them into the threaded insert by hand and secure all fasteners at this time. **CAUTION: When attaching the mount be careful not to overtighten screws.**
4. See RPA and/or Smart-Lift™ Instructions.