



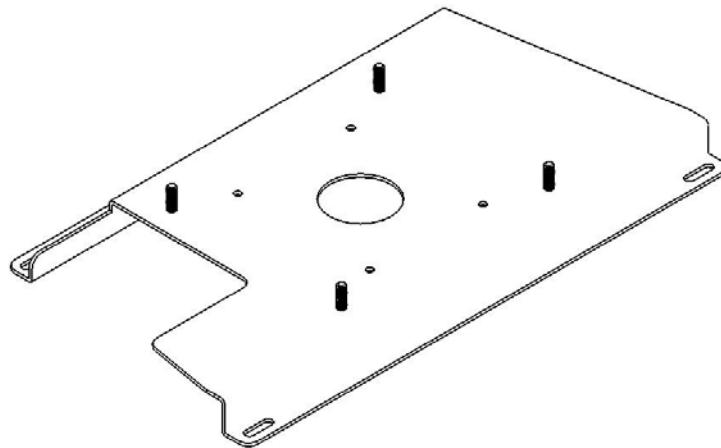
INSTALLATION INSTRUCTIONS

SLB-073 HANGER BRACKET

for YAMAHA LPX-510,

Prior to assembly, unpack carton and verify contents.
For security installation, use security hardware package inside the ALL-POINTS™ Security Kit. Follow the instructions below for attaching the bracket to the projector using either standard hardware or security hardware.
If you are missing any of the following components, please contact Customer Service at 1-800-582-6480

- | | | | |
|-----|--------------------|-----|---------------------------|
| (1) | SLB-073 Bracket | (4) | M4 Flatwashers |
| (4) | 10 - 24 Thumb Nuts | (4) | M4 x 10mm Pan Head Screws |



INSTALLATION INSTRUCTIONS

1. Turn projector upside down on a flat surface.
2. Place the SLB-073 bracket onto the bottom of the projector lining up the four hole in the bracket with the four threaded inserts in the bottom of the projector.
3. Using the four M4 X 10mm mounting screws and washers, start them into the mounting holes by hand and secure all four fasteners at this time. **CAUTION: When attaching the mount be careful not to over tighten mounting screws.**
4. See RPA and/or Smart-Lift™ Instructions.