



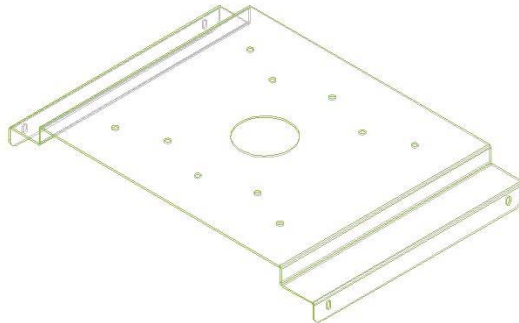
INSTALLATION INSTRUCTIONS
SLB-101 HANGER BRACKET
FOR LIGHTWARE VP 100

Prior to assembly, unpack carton and verify contents.

For security installation, use security hardware package inside the ALL-POINTS™ Security Kit. Follow the instructions below for attaching the bracket to the projector using either standard hardware or security hardware.

If you are missing any of the following components, please contact Customer Service at 1-800-582-6480

- | | | | |
|-----|-----------------|-----|--------------------------|
| (1) | SLB-101 bracket | (6) | 10-24 Thumb Nuts |
| (4) | M3 Flat Washers | (4) | M3 x 16mm Machine Screws |



INSTALLATION INSTRUCTIONS

1. Turn projector upside down and attach the SLB-101 bracket to the projector using the four (4) M3 x 16mm machine screws. When attaching the mount, be careful not to overtighten the bolts.
2. See RPA/Smart-Lift™ Instruction sheet for installing to mount.