



INSTALLATION INSTRUCTIONS SLB-103 HANGER BRACKET

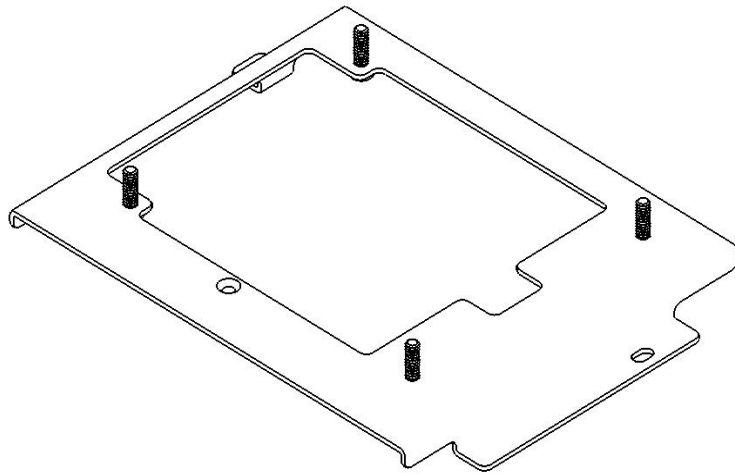
for HP VP6210, VP6220,

Prior to assembly, unpack carton and verify contents.

For security installation, use security hardware package inside the ALL-POINTS™ Security Kit. Follow the instructions below for attaching the bracket to the projector using either standard hardware or security hardware.

If you are missing any of the following components, please contact Customer Service at 1-800-582-6480

- | | | | |
|-----|---------------------------|-----|---|
| (1) | SLB-103 Bracket | (2) | M4 Flatwashers |
| (4) | 10 - 24 Thumb Nuts | (2) | M4 x 8mm Pan Head Screws |
| (2) | M4 x 16mm Flat Head Screw | (1) | .375 OD X .265 ID X .50 TL Nylon Spacer |



INSTALLATION INSTRUCTIONS

1. Turn projector upside down on a flat surface.
2. Place the ½" tall nylon spacer over the threaded insert nest to the lamp door.
3. Place the SLB-103 bracket onto the bottom of the projector lining up the three holes in the bracket with the three threaded inserts in the bottom of the projector.
4. Using the two M4 X 8mm mounting screws and washers, and one M4 X16mm Flat head screw start them into the mounting holes by hand and secure all three fasteners at this time. **CAUTION: When attaching the mount be careful not to over tighten mounting screws.**
5. See RPA and/or Smart-Lift™ Instructions.