



INSTALLATION INSTRUCTIONS

SLB-1060 HANGER BRACKET

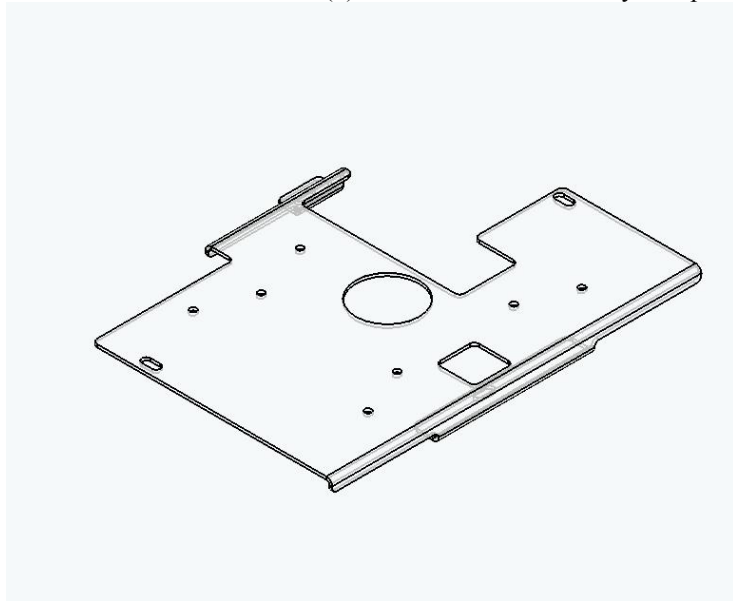
for Panasonic PT-AE100, PT-AE100U, TH-AE100,

Prior to assembly, unpack carton and verify contents.

For security installation, use security hardware package inside the ALL-POINTS™ Security Kit. Follow the instructions below for attaching the bracket to the projector using either standard hardware or security hardware.

If you are missing any of the following components, please contact Customer Service at 1-800-582-6480

- | | | | |
|-----|--------------------|-----|-------------------------------|
| (1) | SLB-1060 Bracket | (2) | M4 - 8mm Screws |
| (4) | 10 - 24 Thumb Nuts | (2) | M4 - 20mm Screws |
| (4) | M4 Flatwashers | (2) | ½" x .194" x ½" Nylon Spacers |



INSTALLATION INSTRUCTIONS

1. Turn projector upside down.
2. Place the SLB-1060 bracket on to the bottom of the projector lining up the four mounting holes in the SLB-1060 bracket with the four threaded inserts in the bottom of the projector and secure the front and back using the two M4 -8mm mounting screws and M4 Flatwashers.
3. Place the two ½" x .194" x ½" nylon spacers between the left and right holes in the bracket and the threaded insert in the projector, using the M4-20mm mounting screws and M4 flatwashers place then through the holes in the bracket and the nylon spacers and secure into the treaded inserts of the projector. **CAUTION: When attaching the mount be careful not to overtighten screws.**
4. See RPA and/or Smart-Lift™ Instructions.