



INSTALLATION INSTRUCTIONS

SLB-1100 Hanger Bracket

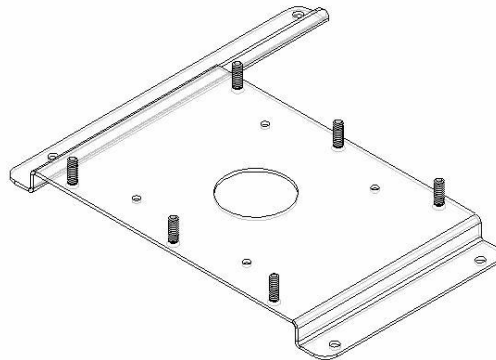
For PLUS UP-1100

Prior to assembly, unpack carton and verify contents.

For security installation, use security hardware package inside the ALL-POINTS™ Security Kit. Follow the instructions below for attaching the bracket to the projector using either standard hardware or security hardware.

If you are missing any of the following components, please contact Customer Service at 1-800-582-6480

- | | |
|------------------------------|-------------------------------|
| (1) RPA-1100 hanging bracket | (4) M5-8 x 8mm machine screws |
| (6) 10-24 thumb nuts | (4) M5 Flat washer |
| (4) M5 Lock washer | |



INSTALLATION INSTRUCTIONS

1. Turn projector upside down on bench and align four holes in hanging bracket with four threaded insert in bottom. Notice offset hole pattern and match corresponding dimensions.
2. Install four machine screws (M5-8 x 8mm) with flat washers and lock washers; tighten moderately.
3. Review RPA instructions for final mounting.

CHIEF MANUFACTURING INC. 12800 HWY. 13 S., Savage, MN 55378
1-800-582-6480, Fax:1-877-894-6918, Email: chief@chiefmfg.com