



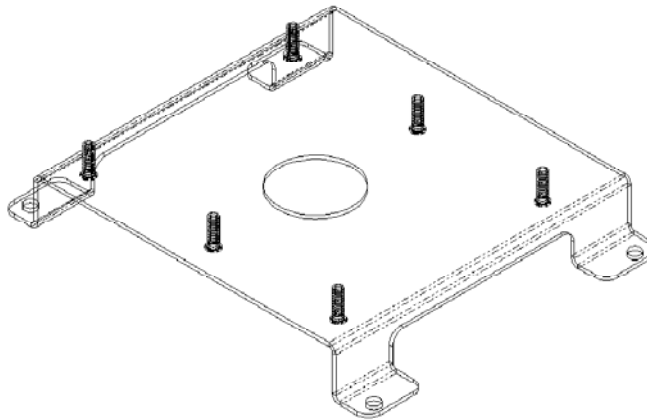
## INSTALLATION INSTRUCTIONS SLB-111 HANGER BRACKET

for Runco VX1

Prior to assembly, unpack carton and verify contents.

If you are missing any of the following components, please contact Customer Service at 1-800/582-6480

- |     |                              |     |                    |
|-----|------------------------------|-----|--------------------|
| (1) | SLB-111 Bracket              | (6) | 10 - 24 Thumb Nuts |
| (4) | M5 - 8 x 6mm Mounting Screws | (4) | M5 Flatwashers     |



### INSTALLATION INSTRUCTIONS

1. Turn projector upside down.
2. Place SLB-111 plate onto bottom of projector with six threaded inserts toward the front of the projector (The bracket may need to be turned around for use in the Smart Lift). Line up the four mounting holes in the SLB-111 plate with the threaded inserts in the bottom of projector and secure using the four mounting screws and washers. **CAUTION: When attaching the SLB mount be careful not to overtighten.**
3. See RPA and/or Smart-Lift™ Instructions.