



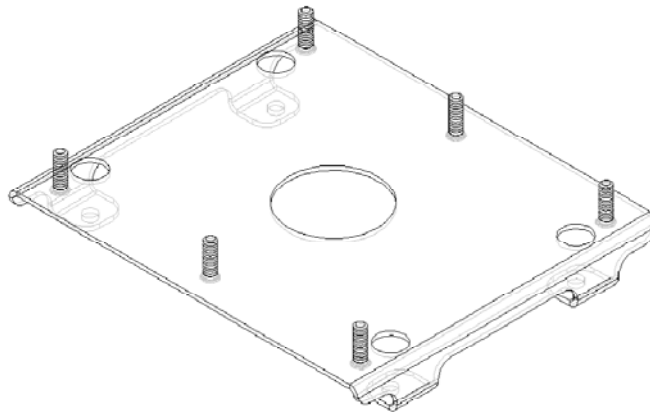
## INSTALLATION INSTRUCTIONS

### SLB-113 HANGER BRACKET

for RUNCO VX-101c

Prior to assembly, unpack carton and verify contents.  
For security installation, use security hardware package inside the ALL-POINTS™ Security Kit. Follow the instructions below for attaching the bracket to the projector using either standard hardware or security hardware.  
If you are missing any of the following components, please contact Customer Service at 1-800-582-6480

- |     |                    |     |                       |
|-----|--------------------|-----|-----------------------|
| (1) | SLB-113 Bracket    | (4) | 10 - 32 x 3/8" Screws |
| (6) | 10 - 24 Thumb Nuts | (4) | Flatwasher            |



### INSTALLATION INSTRUCTIONS

1. Turn projector upside down.
2. Place the SLB-113 bracket onto the bottom of the projector and lining up the four mounting holes in the bracket with the four threaded inserts in the projector.
3. Using the four 10 - 32 x 3/8" screws and flatwashers start them into the threaded inserts in projector and secure the bracket to the projector. **CAUTION: When attaching the mount be careful not to overtighten screws.**
4. See RPA and/or Smart-Lift™ Instructions.