



## INSTALLATION INSTRUCTIONS

### RPA-115 Hanger Bracket

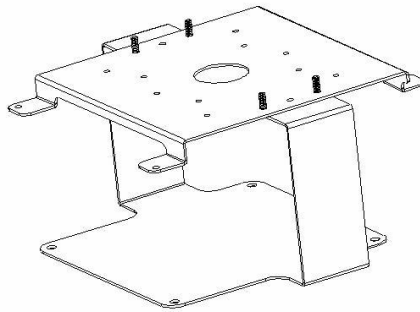
FOR PHILIPS HOPPER SV-10, SV20, XG20,  
LC4043G, LC4236, LC4246,

Prior to assembly, unpack carton and verify contents.

For security installation, use security hardware package inside the ALL-POINTS™ Security Kit. Follow the instructions below for attaching the bracket to the projector using either standard hardware or security hardware.

If you are missing any of the following components, please contact Customer Service at 1-800-582-6480

(1)	SLB-115	(6)	10-24 Thumb Nuts
(1)	Cradle Bracket	(4)	10-24 Nylock Nuts
(4)	Rubber Bumpers	(2)	M4 x 10mm Screws
(4)	#10 Flat Washers	(2)	M4 Flat Washers



## Installation Instructions RPA Plate and Cradle Assembly

1. Install bracket cradle by carefully sliding it from the rear of the projector and along its edges forward until vertical legs move past control panel at side. Stop it just before it reaches the forward feet of the projector.
2. Install four (4) rubber bumpers into four inner, .28 diameter holes of cradle bracket.
3. Raise two adjustable feet by pushing foot release in. This will allow placing of hanger bracket on cradle studs.
4. Align four (4) outer .25 diameter holes of hanger bracket with four (4) 10-24 by .5" long studs in the cradle. Install four (4) 10-24-nylock nuts with washers onto studs and tighten moderately. Install the two (2) metric fasteners into the projector bottom.
5. Review RPA/Smart-Lift™ instructions for final mounting
6. If you are using the ALL-POINTS™ Security Kit, you will need to add a 10-24 X 3/8" Security Screw one in each center hole between the two 10-24-nylock nuts.

CHIEF MANUFACTURING INC. 1-800-582-6480, Fax: 1-877-894-6918, Email: chief@chiefmfg.com