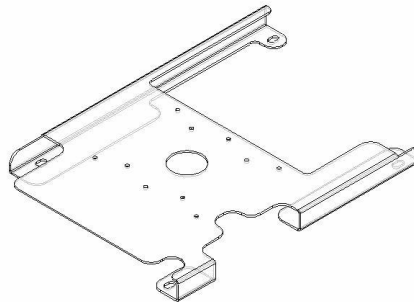




INSTALLATION INSTRUCTIONS
SLB-1200 HANGER BRACKET
FOR SHARP XGE-1200U

Prior to assembly, unpack carton and verify contents.
For security installation, use security hardware package inside the ALL-POINTS™ Security Kit. Follow the instructions below for attaching the bracket to the projector using either standard hardware or security hardware.
If you are missing any of the following components, please contact Customer Service at 1-800-582-6480

- | | | | |
|-----|------------------|-----|-----------------|
| (1) | SLB-1200 Bracket | (4) | ¼-20 x 1" Screw |
| (6) | Thumb Nuts | (4) | ¼" Flatwashers |



INSTALLATION INSTRUCTIONS

1. Turn projector upside down and attach the SLB-1200 bracket to the projector using the four (4) ¼-20 x 1" screws and (4) ¼" flatwashers . When attaching the mount, be careful not to overtighten the screws.
2. See RPA/Smart-Lift™ Instruction sheet for installing to mount.

CHIEF MANUFACTURING INC. 1-800-582-6480, Fax: 1-877-894-6918, Email: chief@chiefmfg.com