



## INSTALLATION INSTRUCTIONS SLB-1300 HANGER BRACKET

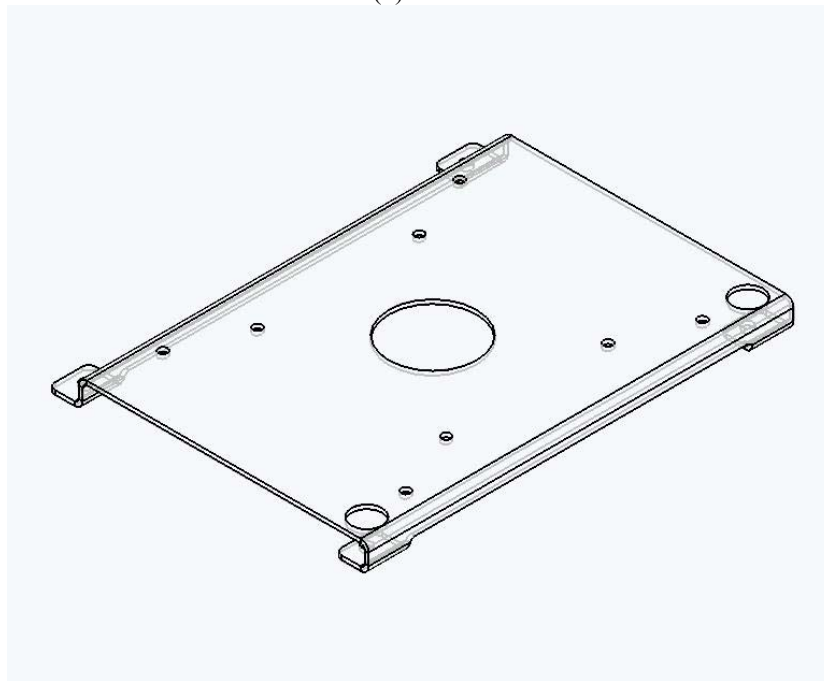
for Plus PIANO, HE-3100,

Prior to assembly, unpack carton and verify contents.

For security installation, use security hardware package inside the ALL-POINTS™ Security Kit. Follow the instructions below for attaching the bracket to the projector using either standard hardware or security hardware.

If you are missing any of the following components, please contact Customer Service at 1-800-582-6480

- |     |                    |     |                 |
|-----|--------------------|-----|-----------------|
| (1) | SLB-1300 Bracket   | (4) | M3 - 8mm Screws |
| (4) | 10 - 24 Thumb Nuts | (4) | M3 Flatwashers  |



### INSTALLATION INSTRUCTIONS

1. Turn projector upside down.
2. Place the SLB-1300 bracket on to the bottom of the projector lining up the four mounting holes in the SLB-1300 bracket with the four threaded inserts in the bottom of the projector and secure using the four M3 -8mm mounting screws and M3 Flatwashers.  
**CAUTION: When attaching the mount be careful not to overtighten screws.**
3. See RPA and/or Smart-Lift™ Instructions.