



INSTALLATION INSTRUCTIONS SLB-131 HANGER BRACKET

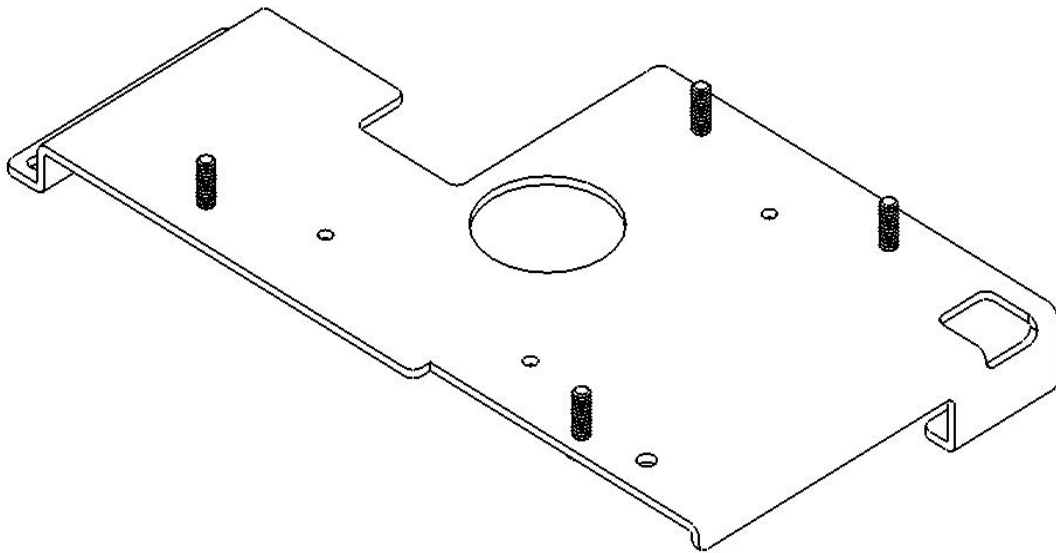
for EIKI LC-SB22, LC-XB23, SANYO PLC-XU70, XU73,

Prior to assembly, unpack carton and verify contents.

For security installation, use security hardware package inside the ALL-POINTS™ Security Kit. Follow the instructions below for attaching the bracket to the projector using either standard hardware or security hardware.

If you are missing any of the following components, please contact Customer Service at 1-800-582-6480

- | | | | |
|-----|--------------------------------|-----|---------------------------|
| (1) | SLB-131 Bracket | (4) | M4 Flatwashers |
| (4) | 10 - 24 Thumb Nuts | (3) | M4 x 10mm Pan Head Screws |
| (1) | .5" X .194" X .5" Nylon Spacer | (1) | M4 x 20mm Pan Head Screws |



INSTALLATION INSTRUCTIONS

1. Turn projector upside down on a flat surface.
2. Place the SLB-131 bracket onto the bottom of the projector lining up the four holes in the bracket with the four threaded inserts in the bottom of the projector.
3. Using the three M4 X10mm mounting screws and M4 washers, start them into the mounting holes by hand
4. Slid the one nylon spacer between the bracket and the projector lining it up the spacer with the last mounting hole and start the M4 X 20mm mounting screw and M4 washer in the remaining mounting hole, secure all four fasteners at this time. **CAUTION: When attaching the mount be careful not to over tighten mounting screws.**
5. See RPA and/or Smart-Lift™ Instructions.