



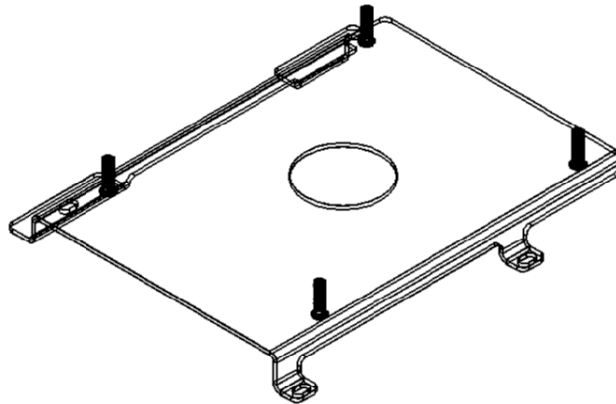
INSTALLATION INSTRUCTIONS

SLB-151 HANGER BRACKET

for SHARP PG-M15S, PG-M15X

Prior to assembly, unpack carton and verify contents.
For security installation, use security hardware package inside the ALL-POINTS™ Security Kit. Follow the instructions below for attaching the bracket to the projector using either standard hardware or security hardware.
If you are missing any of the following components, please contact Customer Service at 1-800-582-6480

- | | | | |
|-----|--------------------|-----|-----------------|
| (1) | SLB-151 Bracket | (3) | M3 -6mm Screws |
| (4) | 10 - 24 Thumb Nuts | (3) | M3 Flat Washers |



INSTALLATION INSTRUCTIONS

1. Turn projector upside down.
2. Loosen the rear adjustable foot approximately a 1/8", now place the SLB-151 bracket onto the projector lining up the slotted foot in the bracket so it slides around the adjustable foot of the projector bracket and lightly tighten the foot so it helps hold the projector.
3. Remove the other rear foot by unscrewing it from the projector.
4. Know the remaining three holes in the bracket should line-up with the three threaded inserts in the bottom of the projector.
5. Using the three M3 x 6mm screws and flat washers start them into the three threaded inserts and tighten all fasteners at this time, securing the bracket to the projector.
CAUTION: When attaching the mount be careful not to overtighten screws.
6. See RPA and/or Smart-Lift™ Instructions.