



INSTALLATION INSTRUCTIONS SLB-160 HANGER BRACKET

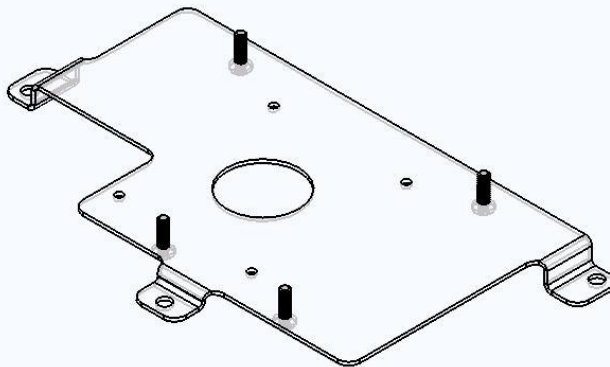
for Sanyo PLV-Z1, Boxlight 1HD,

Prior to assembly, unpack carton and verify contents.

For security installation, use security hardware package inside the ALL-POINTS™ Security Kit. Follow the instructions below for attaching the bracket to the projector using either standard hardware or security hardware.

If you are missing any of the following components, please contact Customer Service at 1-800-582-6480

- | | | | |
|-----|--------------------|-----|---------------------------|
| (1) | SLB-160 Bracket | (3) | M6 Flatwashers |
| (4) | 10 - 24 Thumb Nuts | (3) | M6 x 10mm Pan Head Screws |



INSTALLATION INSTRUCTIONS

1. Turn projector upside down on a flat surface.
2. Place the SLB-160 bracket onto the bottom of the projector lining up the three mounting holes in the SLB-160 bracket with the three threaded inserts in the bottom of the projector and secure the mount by using the three M6 x 10mm screws and M6 flatwashers provided. **CAUTION: When attaching the mount be careful not to over tighten mounting screws.**
3. See RPA and/or Smart-Lift™ Instructions.