



## INSTALLATION INSTRUCTIONS SLB-189 HANGER BRACKET

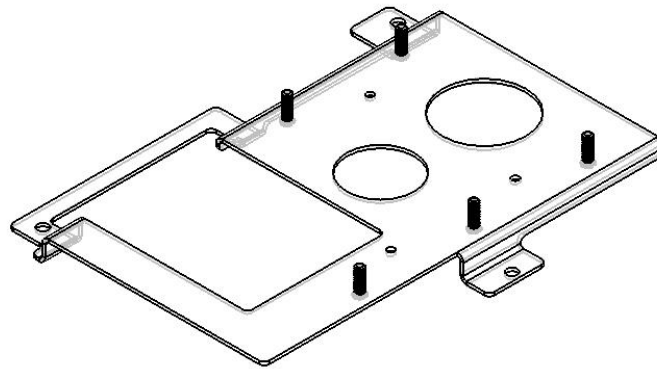
for Megapower ML-179A, ML-189A,  
Lumens LE95, LM90, LM91, LM92, LM95, LX90, LX92, LX95, LX900,  
A +K Astrobeam X151, X161,

Prior to assembly, unpack carton and verify contents.

For security installation, use security hardware package inside the ALL-POINTS™ Security Kit. Follow the instructions below for attaching the bracket to the projector using either standard hardware or security hardware.

If you are missing any of the following components, please contact Customer Service at 1-800-582-6480

- |     |                    |     |                            |
|-----|--------------------|-----|----------------------------|
| (1) | SLB-189 Bracket    | (1) | M4 -6mm Philips Pan Screws |
| (5) | 10 - 24 Thumb Nuts | (2) | M4 -8mm Philips Pan Screws |
| (3) | M4 Flatwasher      |     |                            |



### INSTALLATION INSTRUCTIONS

1. Turn projector upside down.
2. Place the SLB-189 bracket onto the bottom of the projector lining up the three mounting holes in the bracket with the three thread inserts in the bottom of the projector.
3. Using the three M5 x 8mm screws and M5 flat washers start them into the three threaded inserts and tighten all fasteners at this time, securing the bracket to the projector.  
**CAUTION: When attaching the mount be careful not to overtighten screws.**
4. See RPA and/or Smart-Lift™ Instructions.