



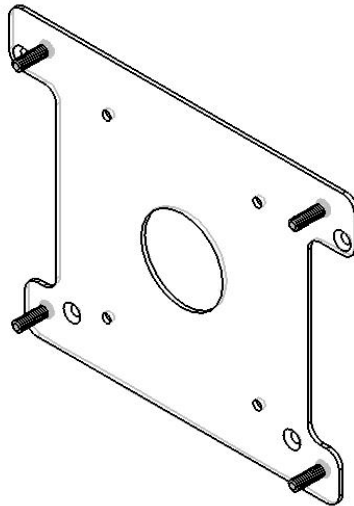
## INSTALLATION INSTRUCTIONS

### SLB-199 HANGER BRACKET

for Megapower Ultra ML 199A,

Prior to assembly, unpack carton and verify contents.  
For security installation, use security hardware package inside the ALL-POINTS™ Security Kit. Follow the instructions below for attaching the bracket to the projector using either standard hardware or security hardware.  
If you are missing any of the following components, please contact Customer Service at 1-800-582-6480

- |     |                               |     |                            |
|-----|-------------------------------|-----|----------------------------|
| (1) | SLB-199 Bracket               | (4) | M4 - 16mm Flat Head Screws |
| (4) | 10 - 24 Thumb Nuts            | (4) | M4 Flatwashers             |
| (4) | ½" x .218" x ¼" Nylon spacers |     |                            |



### INSTALLATION INSTRUCTIONS

1. Turn projector upside down.
2. Place one ¼" nylon spacers over each of the four threaded inserts in the bottom of the projector.
3. Place the SLB-199 bracket on to the four nylon spacers on the bottom of the projector lining up the four mounting holes in the SLB-199 bracket with the four threaded inserts in the bottom of the projector and secure using the four M4 -16mm mounting screws and M4 Flatwashers. **CAUTION: When attaching the mount be careful not to over tighten screws.**
4. See RPA and/or Smart-Lift™ Instructions.