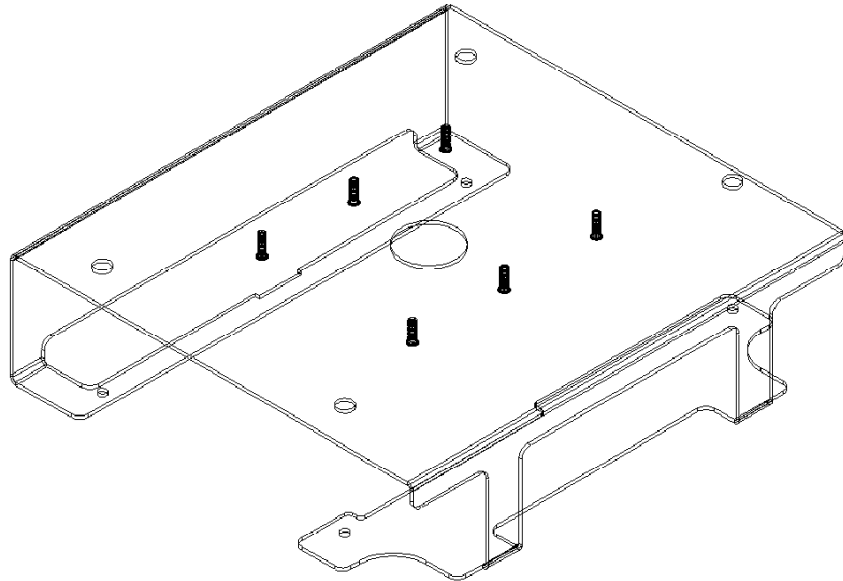




INSTALLATION INSTRUCTIONS SLB-2000 HANGER BRACKET for LASERGRAPHICS D-REX

Prior to assembly, unpack carton and verify contents.
If you are missing any of the following components, please contact Customer Service at 1-800/582-6480

- | | | | |
|-----|--------------------|-----|--------------------|
| (1) | SLB-2000 Bracket | (4) | M4 – 7 x 10mm PHPS |
| (6) | 10 - 24 Thumb Nuts | (4) | #4 Flatwashers |



INSTALLATION INSTRUCTIONS

1. Turn projector upside down.
2. Place SLB-2000 plate onto bottom of projector. Line up the four mounting holes in the SLB-2000 plate with the threaded inserts and secure using the four M4 – 7 x 10mm mounting screws and #4 Flatwashers. **CAUTION: When attaching the mount be careful not to overtighten.**
3. See RPA and/or Smart-Lift™ Instructions.