



## INSTALLATION INSTRUCTIONS SLB-205 HANGER BRACKET

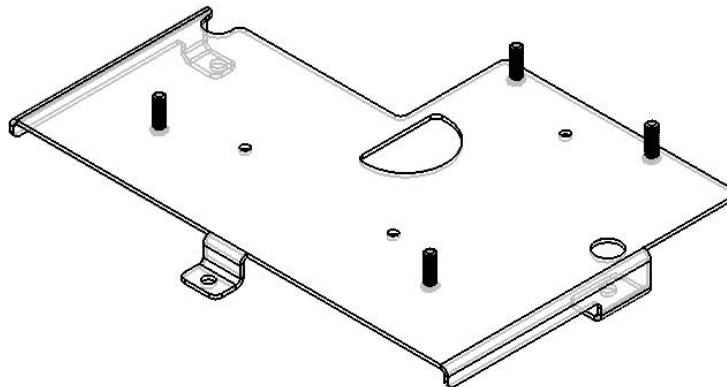
for Plus U2-X2000,

Prior to assembly, unpack carton and verify contents.

For security installation, use security hardware package inside the ALL-POINTS™ Security Kit. Follow the instructions below for attaching the bracket to the projector using either standard hardware or security hardware.

If you are missing any of the following components, please contact Customer Service at 1-800-582-6480

- |     |                    |     |                 |
|-----|--------------------|-----|-----------------|
| (1) | SLB-205 Bracket    | (3) | M4 - 8mm Screws |
| (4) | 10 - 24 Thumb Nuts | (3) | M4 Flatwashers  |



### INSTALLATION INSTRUCTIONS

1. Turn projector upside down.
2. Place the SLB-205 bracket on to the bottom of the projector lining up the three mounting holes in the SLB-205 bracket with the three threaded inserts in the bottom of the projector.
3. Using the three M4-8mm mounting screws and M4 flatwashers place them through the holes in the bracket and secure into the treaded inserts of the projector. **CAUTION: When attaching the mount be careful not to overtighten screws.**
4. See RPA and/or Smart-Lift™ Instructions.