



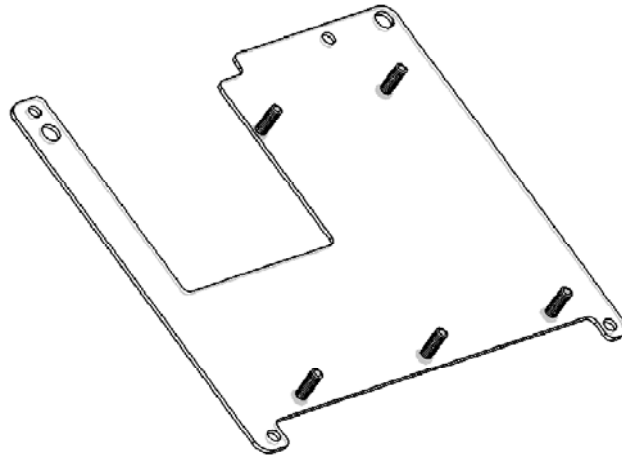
INSTALLATION INSTRUCTIONS

SLB-222 HANGER BRACKET

for Toshiba TLP-B2, TLP-B2 ULTRA,

Prior to assembly, unpack carton and verify contents.
For security installation, use security hardware package inside the ALL-POINTS™ Security Kit. Follow the instructions below for attaching the bracket to the projector using either standard hardware or security hardware.
If you are missing any of the following components, please contact Customer Service at 1-800-582-6480

- | | | | |
|-----|--------------------|-----|------------------|
| (1) | SLB-222 Bracket | (4) | M4 – 12mm Screws |
| (5) | 10 - 24 Thumb Nuts | (4) | M4 Flatwashers |



INSTALLATION INSTRUCTIONS

1. Turn projector upside down.
2. Place the SLB-222 bracket on to the bottom of the projector lining up the four mounting holes in the SLB-222 bracket with the four threaded inserts in the bottom of the projector and secure using the four M4 – 12mm mounting screws and M4 Flatwashers.
CAUTION: When attaching the mount be careful not to overtighten screws.
2. See RPA and/or Smart-Lift™ Instructions.