



INSTALLATION INSTRUCTIONS

SLB-2300 HANGER BRACKET

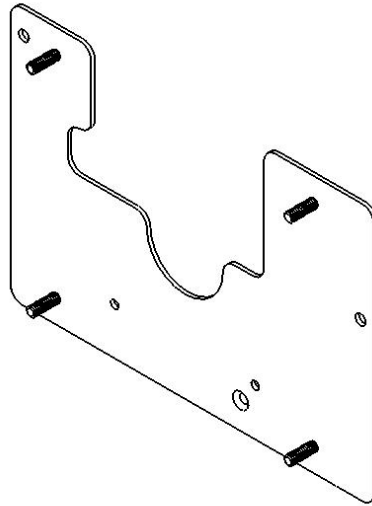
for Yokogawa D-2300X, D-3300X,

Prior to assembly, unpack carton and verify contents.

For security installation, use security hardware package inside the ALL-POINTS™ Security Kit. Follow the instructions below for attaching the bracket to the projector using either standard hardware or security hardware.

If you are missing any of the following components, please contact Customer Service at 1-800-582-6480

- | | | | |
|-----|---------------------------------|-----|---------------------------------|
| (1) | SLB-2300 Bracket | (1) | M4 -10mm Philips Pan Screws |
| (4) | 10 - 24 Thumb Nuts | (1) | M4 -16mm Philips Pan Screws |
| (2) | M4 Flatwasher | (1) | M4 -20mm Flat Head Screw |
| (1) | 1/2" x .194 x 1/2" Nylon Spacer | (1) | 1/2" x .218 x 1/4" Nylon Spacer |



INSTALLATION INSTRUCTIONS

1. Turn projector upside down.
2. Place the one 1/2" and one 1/4" nylon spacers over the two lower threaded inserts in the bottom of the projector so they are level with the highest mounting insert.
3. Place the SLB-2300 bracket onto the two nylon spacers on the bottom of the projector lining up the three mounting holes in the bracket with the two nylon spacers and one threaded insert
4. Using the three M4 mounting screws, put the 20mm flat head screw in the countersink hole the 16mm screw in the 1/4" spacer hole and the remaining 10mm screw directly into the treaded insert and tighten all fasteners at this time, securing the bracket to the projector. **CAUTION: When attaching the mount be careful not to overtighten screws.**
5. See RPA and/or Smart-Lift™ Instructions.