



INSTALLATION INSTRUCTIONS

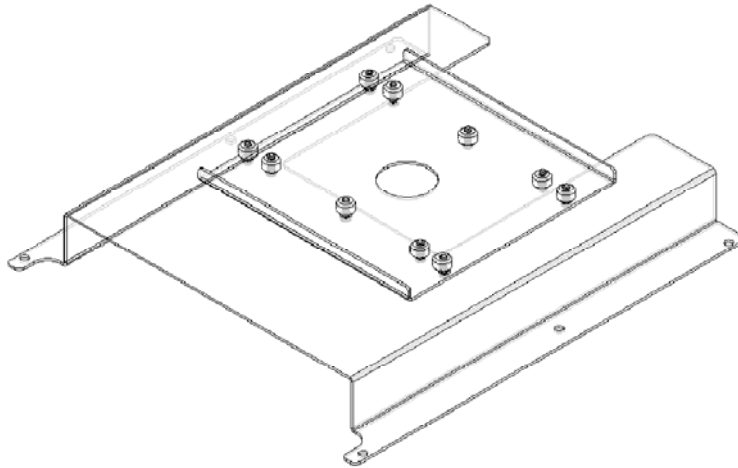
SLB-300 HANGER BRACKET

for AMPRO 300,

Prior to assembly, unpack carton and verify contents.

If you are missing any of the following components, please contact Customer Service at 1-800/582-6480

- | | | | |
|------|------------------------|-----|-----------------|
| (1) | SLB-300 Bracket | (6) | M4 -10mm Screws |
| (1) | SLB-300 Center Bracket | (6) | M4 Flatwashers |
| (10) | 10 - 24 Thumb Nuts | | |



INSTALLATION INSTRUCTIONS

1. Turn projector upside down.
2. Place the SLB-300 bracket onto the bottom of the projector so the two curved slotted hole are facing the front of the projector and all six threaded inserts in the bracket line-up with the six threaded inserts in the bottom of the projector.
3. Using the six M4 x 10mm screws and M4 flatwashers start them into the six threaded inserts and tighten all fasteners at this time, securing the bracket to the projector.
CAUTION: When attaching the mount be careful not to overtighten screws.
4. Now place the remaining center bracket over the main bracket so the three holes in this bracket go around the three front threaded studs in the main bracket and stall and 10 thumb nuts.
5. The four outside thumb nuts are for quick filter cleaning access.
6. See RPA and/or Smart-Lift™ Instructions.